

Suction cup BX15P Polyurethane 30/60, M5 male

Article number: 0124344



- Suitable for level adjustment and for uneven and porous surfaces such as cardboard, etc.
- In the two-coloured suction cup the bellows and the sealing lip are of different hardnesses, which makes the suction cup strong and stable and, at the same time, soft and flexible.
- DURAFLEX® suction cups manufactured in a specially developed material that features the elasticity of rubber and wear resistance of polyurethane.
- The material DURAFLEX® is mark free.

Technical data

Description	Unit	Value
Suction cup shape	-	Multibellows
Application	-	Dry sheet metal, Corrugated / cardboard, Plastic injection molded parts, Mark Free
Suction cup design	-	Round
Characteristics	-	Dry sheet metal, Corrugated / cardboard, Plastic injection molded parts, Mark free
Material	-	Polyurethane (PU)
Weight, min.	g	1.15
Suction cup model	-	BX-P
Volume	cm ³	0.92
Height	mm	27
Outer diameter, min.	mm	16
Fitting size	-	M5
Fitting option	-	None
Fitting style	-	Male
Fitting type	-	M-thread
Suction cup model	-	BX15P PU30 PU60
Movement, vertical max.	mm	5.5
Curve radius, min.	mm	5.5

Performance - Lifting forces

BX15P PU30 PU60	Vertical (N)	Parallel (N)
20 -kPa	2	1.63
60 -kPa	4	3.4
90 -kPa	4.5	3.7

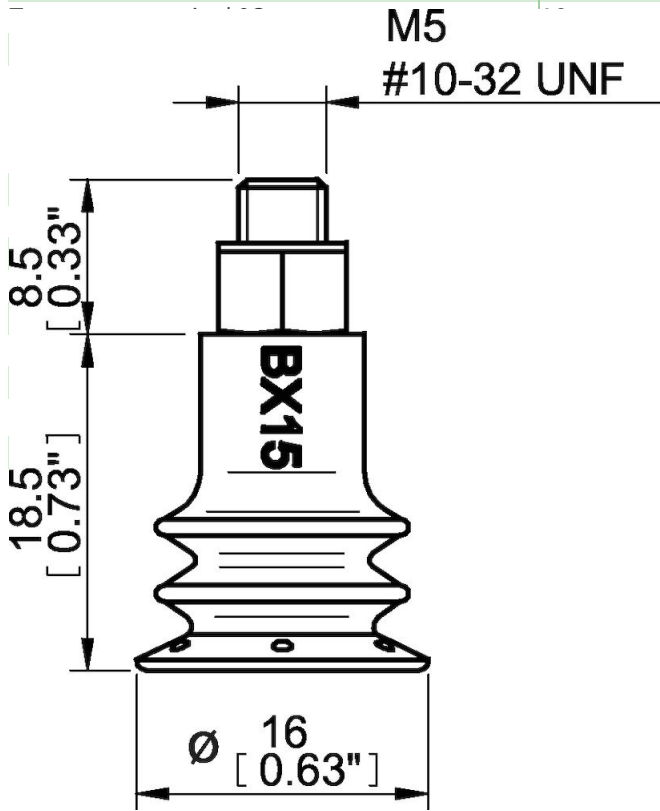
Material

Name	Polyurethane (PU30)	Polyurethane (PU60)
Colour	Yellow	Green transparent
Temperature, min. °C	10	10
Temperature max. °C	50	50
Hardness °Shore A	30	60

Material resistance

	Polyurethane (PU30)	Polyurethane (PU60)
Alcohol	n/a	n/a
Concentrated acids	Fair	Fair
Ethanol	Fair	Fair
Hydrolysis	Fair	Fair
Methanol	Poor	Poor
Oil	Excellent	Excellent
Oxidation	Poor	Poor
Petrol	Fair	Fair
Wear resistance	Excellent	Excellent

Material and ozone	Excellent	Excellent
Name	Polyurethane (PU30)	Polyurethane (PU60)
Dimensional drawings	Yellow	Green transparent
		10
		50
		60
		n/a
		Fair
		Fair
		Fair
		Poor
		Excellent
		Poor
		Fair
		Excellent
		Excellent



Values specified in this data sheet are tested at (unless otherwise stated):

- Room temperature (20°C [68°F] ± 3°C [5.5°F]).
- Standard atmosphere (101.3 [29.9 inHg] ± 1.0 kPa [0.3 inHg]).
- Relative humidity 20-70%.
- Compressed air quality, DIN ISO 8573-1 class 4.

Accessories

0124237 | Suction cup BX15P Polyurethane 60

Spare parts

0118505 | Suction cup BX15P Polyurethane 30/60

3107030 | Fitting M5 male, 10-15