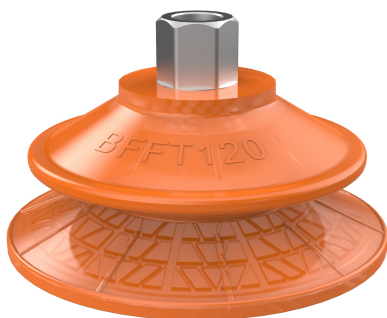


Suction cup BFFT120P Polyurethane 60/60/30, G3/8" female 17mm with mesh filter

Article number: 0210581



- Special designed friction cups for thin (0.6-0.8 mm) oily metal sheets, such as outer body car parts in a press-to press forming process.
- Long lasting material, normal wear on friction cup will not affect the long term grip performance.
- Refined internal friction pattern provides additional grip performance, the suction cups can withstand high shear forces, typically 3–5 times more than corresponding conventional suction cups.
- Best choice if > 0.1g/m² press oil is used on the sheet but also a great choice for dry metal sheets.
- The "BFFT" design is suitable for thin flat or uneven/curved surfaces and if level compensation is needed, for example in de-stacking applications.
- The flat inner support, made of dual hardness, gives stability and good grip during movement in any orientation.
- DURAFLEX® suction cups manufactured in a specially developed material that features the elasticity of rubber and wear resistance of polyurethane. The material does not leave any marks on the objects handled and has a fantastic elastic memory, even after hundreds of thousands of cycles.

Technical data

| Description | Unit | Value |
|--------------------------|-----------------|--------------------------|
| Suction cup shape | - | Bellows |
| Application | - | Oily sheet metal |
| Suction cup design | - | Round |
| Characteristics | - | Oily sheet metal |
| Material | - | Polyurethane (PU) |
| Weight, min. | g | 208.8 |
| Suction cup model | - | BFFT |
| Volume | cm ³ | 165.6 |
| Height | mm | 70.6 |
| Height 2 (Actuated) | mm | 44.5 |
| Outer diameter, min. | mm | 120 |
| Outer diameter, actuated | mm | 124 |
| Fitting size | - | 3/8" |
| Fitting option | - | Filter mesh |
| Fitting style | - | Female |
| Fitting type | - | G-thread |
| Material | - | Al |
| Suction cup model | - | BFFT120 Dry metal sheet |
| Movement, vertical max. | mm | 26 |
| Curve radius, min. | mm | 75 |
| Suction cup model | - | BFFT120 Oily metal sheet |
| Movement, vertical max. | mm | 26 |
| Curve radius, min. | mm | 75 |

Performance - Lifting forces

| | | |
|--------------------------|--------------|--------------|
| BFFT120 Dry metal sheet | Vertical (N) | Parallel (N) |
| 60 -kPa | 338 | 414 |
| 90 -kPa | 346 | 585 |
| BFFT120 Oily metal sheet | | |
| 60 -kPa | 335 | 212 |
| 90 -kPa | 340 | 291 |

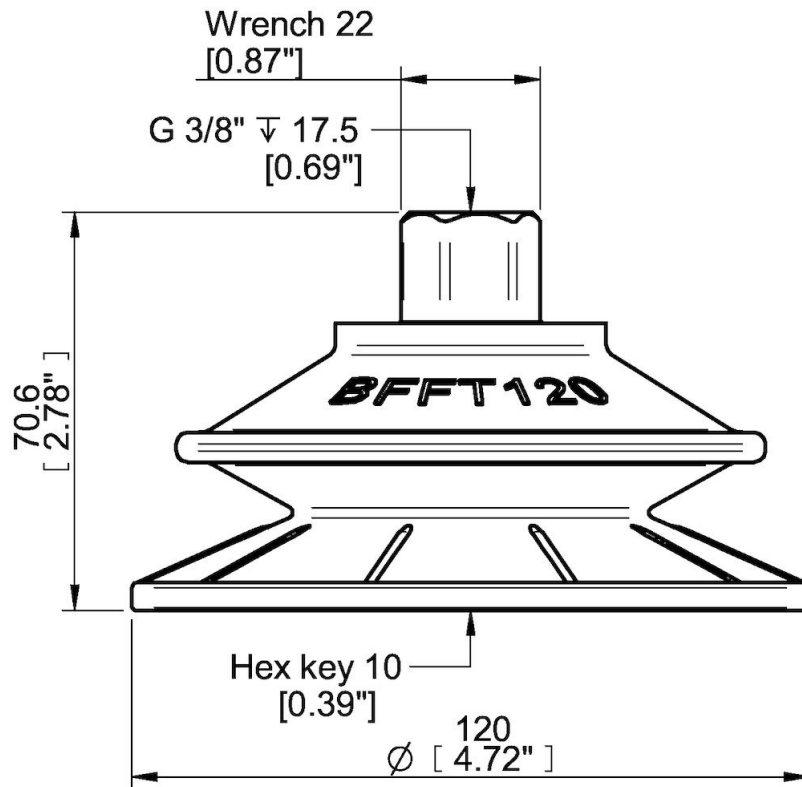
Material

| | | | |
|------------------------|---------------------|---------------------|---------------------|
| Name | Polyurethane (PU30) | Polyurethane (PU60) | Polyurethane (PU60) |
| Colour | Yellow | Green transparent | Orange |
| Temperature, min. °C | 10 | 10 | 10 |
| Temperature max. °C | 50 | 50 | 50 |
| Hardness °Shore A | 30 | 60 | 60 |

Material resistance

| | | | |
|--------------------|-----------|-----------|-----------|
| Alcohol | n/a | n/a | n/a |
| Concentrated acids | Fair | Fair | Fair |
| Ethanol | Fair | Fair | Fair |
| Hydrolysis | Fair | Fair | Fair |
| Methanol | Poor | Poor | Poor |
| Oil | Excellent | Excellent | Excellent |
| Oxidation | Poor | Poor | Poor |
| Petrol | Fair | Fair | Fair |
| Wear resistance | Excellent | Excellent | Excellent |
| Weather and ozone | Excellent | Excellent | Excellent |

Dimensional drawings



Values specified in this data sheet are tested at (unless otherwise stated):

- Room temperature (20°C [68°F] ± 3°C [5.5°F]).
- Standard atmosphere (101.3 [29.9 inHg] ± 1.0 kPa [0.3 inHg]).
- Relative humidity 20-70%.
- Compressed air quality, DIN ISO 8573-1 class 4.