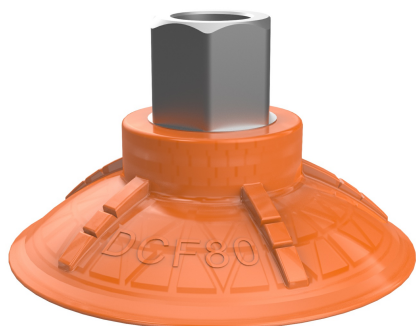


Suction cup DCF80P Polyurethane 60, G3/8" female 17mm with mesh filter

Article number: 0210613



- Special designed friction cups for domed or flat oily surfaces, such as sheets in metal forming processes.
- Long lasting material, normal wear on friction cup will not affect the long term shear force performance.
- Best choice if > 0.1g/m² press oil is used on the sheet but also a great choice for dry metal sheets.
- Refined internal friction pattern provides additional grip performance, the suction cups can withstand high shear forces, typically 3–5 times more than corresponding conventional suction cups.
- Thin design that easily will follow convex or concave surfaces. The thin and pliable design in combination with a special inner friction pattern will maximize grip performance.
- DURAFLEX® is a material that features the elasticity of rubber and wear resistance of polyurethane. The material has a fantastic elastic memory, even after hundreds of thousand cycles.

Technical data

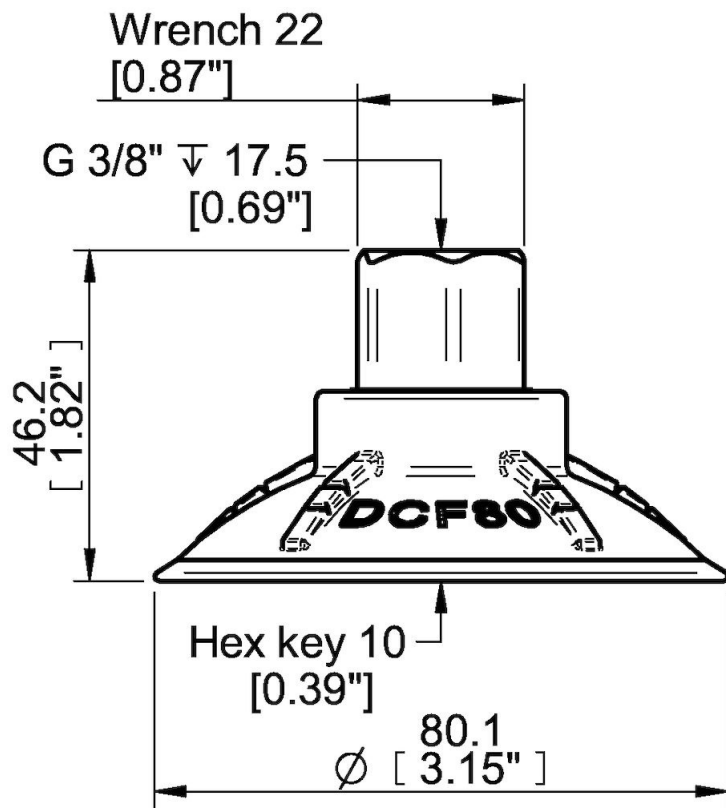
| Description | Unit | Value |
|--------------------------|-----------------|------------------------|
| Suction cup shape | - | Deep Concave |
| Application | - | Oily sheet metal |
| Suction cup design | - | Round |
| Characteristics | - | Oily sheet metal |
| Material | - | Polyurethane (PU) |
| Weight, min. | g | 90.7 |
| Suction cup model | - | DCF |
| Volume | cm ³ | 29.653 |
| Height | mm | 46.2 |
| Height 2 (Actuated) | mm | 35.9 |
| Outer diameter, min. | mm | 80.1 |
| Outer diameter, actuated | mm | 85 |
| Fitting size | - | 3/8" |
| Fitting option | - | Filter mesh |
| Fitting style | - | Female |
| Fitting type | - | G-thread |
| Material | - | Al |
| Suction cup model | - | DCF80 Dry metal sheet |
| Movement, vertical max. | mm | 10.3 |
| Curve radius, min. | mm | 53 |
| Suction cup model | - | DCF80 Oily metal sheet |
| Movement, vertical max. | mm | 10.3 |
| Curve radius, min. | mm | 53 |

Performance - Lifting forces

| | Vertical (N) | Parallel (N) |
|------------------------|--------------|--------------|
| DCF80 Dry metal sheet | | |
| 60 -kPa | 179 | 129 |
| 90 -kPa | 237 | 203 |
| DCF80 Oily metal sheet | | |
| 60 -kPa | 165 | 90 |

| Material | |
|------------------------|---------------------|
| Name | Polyurethane (PU60) |
| Colour | Orange |
| Temperature, min. °C | 10 |
| Temperature max. °C | 50 |
| Hardness °Shore A | 60 |
| Material resistance | |
| Alcohol | n/a |
| Concentrated acids | Fair |
| Ethanol | Fair |
| Hydrolysis | Fair |
| Methanol | Poor |
| Oil | Excellent |
| Oxidation | Poor |
| Petrol | Fair |
| Wear resistance | Excellent |
| Weather and ozone | Excellent |

Dimensional drawings



Values specified in this data sheet are tested at (unless otherwise stated):

- Room temperature (20°C [68°F] ± 3°C [5.5°F]).
- Standard atmosphere (101.3 [29.9 inHg] ± 1.0 kPa [0.3 inHg]).
- Relative humidity 20-70%.
- Compressed air quality, DIN ISO 8573-1 class 4.