

# Suction cup BX35P Polyurethane 30/60 with filter, G1/4" male, with mesh filter

Article number: 0114449



- Suitable for level adjustment and for uneven and porous surfaces such as cardboard, etc.
- In the two-coloured suction cup the bellows and the sealing lip are of different hardnesses, which makes the suction cup strong and stable and, at the same time, soft and flexible.
- DURAFLEX® suction cups manufactured in a specially developed material that features the elasticity of rubber and wear resistance of polyurethane.
- The material DURAFLEX® is mark free.

## Technical data

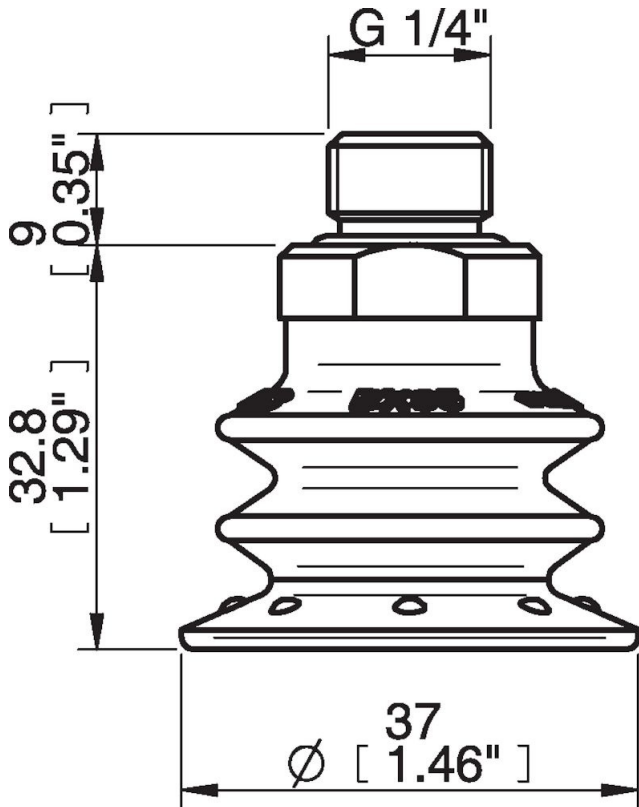
| Description             | Unit            | Value  |
|-------------------------|-----------------|--|
| Suction cup shape       | -               | Multibellows   |
| Application             | -               | Dry sheet metal, Corrugated / cardboard, Plastic injection molded parts, Mark Free |
| Suction cup design      | -               | Round  |
| Characteristics         | -               | Dry sheet metal, Corrugated / cardboard, Plastic injection molded parts, Mark free |
| Material                | -               | Polyurethane (PU)  |
| Weight, min.            | g               | 8  |
| Suction cup model       | -               | BX-P   |
| Volume                  | cm <sup>3</sup> | 10   |
| Height                  | mm              | 41.8   |
| Outer diameter, min.    | mm              | 37   |
| Fitting size            | -               | 1/4"   |
| Fitting option          | -               | Filter mesh, Filter disc   |
| Fitting style           | -               | Male   |
| Fitting type            | -               | G-thread   |
| Suction cup model       | -               | BX35P PU30 PU60  |
| Movement, vertical max. | mm              | 14   |
| Curve radius, min.      | mm              | 10   |

## Performance - Lifting forces

| BX35P PU30 PU60 | Vertical (N) | Parallel (N) |
|-----------------|--------------|--------------|
| 20 -kPa         | 12           | 11           |
| 60 -kPa         | 20           | 19           |
| 90 -kPa         | 28           | 26           |

| Material               |                     |                     |
|------------------------|---------------------|---------------------|
| Name                   | Polyurethane (PU30) | Polyurethane (PU60) |
| Colour                 | Yellow              | Green transparent   |
| Temperature, min.   °C | 10                  | 10                  |
| Temperature max.   °C  | 50                  | 50                  |
| Hardness   °Shore A    | 30                  | 60                  |
| Material resistance    |                     |                     |
| Alcohol                | n/a                 | n/a                 |
| Concentrated acids     | Fair                | Fair                |
| Ethanol                | Fair                | Fair                |
| Hydrolysis             | Fair                | Fair                |
| Methanol               | Poor                | Poor                |
| Oil                    | Excellent           | Excellent           |
| Oxidation              | Poor                | Poor                |
| Petrol                 | Fair                | Fair                |
| Wear resistance        | Excellent           | Excellent           |
| Weather and ozone      | Excellent           | Excellent           |

#### Dimensional drawings



#### Values specified in this data sheet are tested at (unless otherwise stated):

- Room temperature (20°C [68°F] ± 3°C [5.5°F]).
- Standard atmosphere (101.3 [29.9 inHg] ± 1.0 kPa [0.3 inHg]).
- Relative humidity 20-70%.
- Compressed air quality, DIN ISO 8573-1 class 4.

**Accessories**

0101153 | Fitting 1/8" NPSF female, 30–40, with mesh filter  
0106292 | Suction cup BX35P, Polyurethane 30/60  
0107376 | Suction cup BX35P Polyurethane 60, with filter  
0107477 | Suction cup BX35P, Polyurethane 60  
0200714 | Fitting G1/8" male, 40, with mesh filter  
3250005 | Fitting 1/8" NPSF female, 30–40  
3250086 | Fitting G3/8" male, 30–40, with mesh filter  
3250089 | Fitting 3/8" NPT male, with mesh filter  
3250093 | Fitting 1/4" NPT male, with mesh filter  
3251006 | Fitting 1/8" NPSF female, 30–40, with dual flow control valve  
3251007 | Fitting G1/4" male, 30–40, with mesh filter and dual flow control valve  
3251008 | Fitting 1/4" NPT male, with dual flow control valve  
3251009 | Fitting G3/8" male, 30–40, with mesh and dual flow control valve  
3251010 | Fitting 3/8" NPT male, with dual flow control valve

**Spare parts**

0106619 | Suction cup BX35P Polyurethane 30/60, with filter  
3250091 | Fitting G1/4" male, 30–40, with mesh filter  
0201001 | Suction cup filter BX35P, 10 pcs