

Vacuum switch, electro-mechanical, preset (Signal range 25 -kPa)

Article number: 3116095

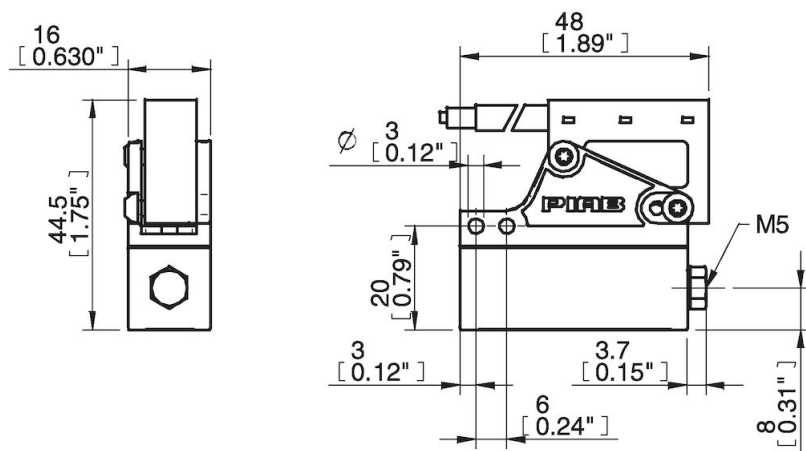
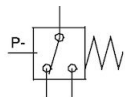


- Converts a vacuum level to an electric signal, VAC or VDC.
- Vacuum-actuated membrane linked to an electro-mechanical switch.
- Integrated cable with open ends included.
- Available preset or with adjustable vacuum level.

Technical data

Description	Unit	Value
Material	-	Al, CuZn, Nitrile (NBR), PA, PBTP, POM, PVC, SS
Temperature, max.	°C	80
Temperature, min.	°C	-20
Weight, min.	g	62
Cable specification	-	3 x 0.75 mm ² x 0.5 m
Current, max.	mA	5000
Feed pressure, max. (@ vacuum connection)	MPa	0.6
Safety classification	-	IP67
Valve function	-	NO, NC
Hysteresis	kPa	10
Signal range, max.	-kPa	30
Signal range, min.	-kPa	20
Height	mm	44.5
Length	mm	16.5
Width	mm	48
Vacuum setting options	-	Preset
Voltage, max.	VAC, VDC	250/30

Dimensional drawings



Accessories

0100488 | Connection set for vacuum switch