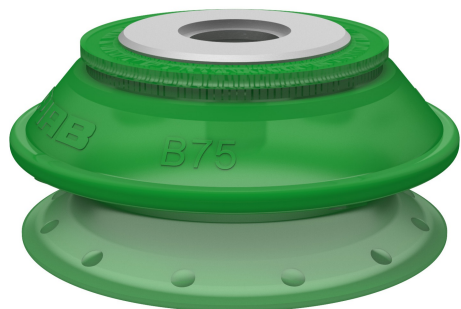


Suction cup B75P Polyurethane 60, for thread insert

Article number: 0107318



- Suitable for level adjustment and for uneven and porous surfaces such as cardboard, etc.
- In the two-coloured suction cup the bellows and the sealing lip are of different hardnesses, which makes the suction cup strong and stable and, at the same time, soft and flexible.
- DURAFLEX® suction cups manufactured in a specially developed material that features the elasticity of rubber and wear resistance of polyurethane.
- The material of the DURAFLEX® is mark free.

Technical data

Description	Unit	Value
Suction cup shape	-	Bellows
Application	-	Dry sheet metal, Plastic injection molded parts, Mark Free
Suction cup design	-	Round
Characteristics	-	Dry sheet metal, Plastic injection molded parts, Mark free
Material	-	Polyurethane (PU)
Weight, min.	g	72
Suction cup model	-	B-P
Volume	cm ³	110
Height	mm	38.8
Outer diameter, min.	mm	76.7
Outer diameter, actuated	mm	86.3
Fitting size	-	None
Fitting option	-	None
Fitting style	-	None
Fitting type	-	None
Suction cup model	-	B75P PU60
Movement, vertical max.	mm	22.8
Curve radius, min.	mm	90

Performance - Lifting forces

B75P PU60	Vertical (N)	Parallel (N)
20 -kPa	83	121
60 -kPa	196	229
90 -kPa	255	298

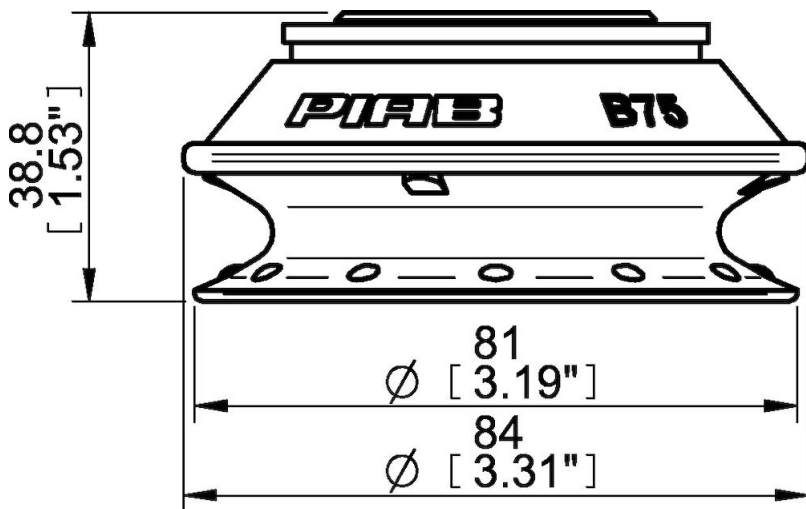
Material

Name	Polyurethane (PU60)
Colour	Green transparent
Temperature, min. °C	10
Temperature max. °C	50
Hardness °Shore A	60

Material resistance

Alcohol	n/a
Concentrated acids	Fair
Ethanol	Fair
Hydrolysis	Fair
Methanol	Poor
Oil	Excellent
Oxidation	Poor
Petrol	Fair
Wear resistance	Excellent
Weather and ozone	Excellent

Dimensional drawings



Values specified in this data sheet are tested at (unless otherwise stated):

- Room temperature (20°C [68°F] ± 3°C [5.5°F]).
- Standard atmosphere (101.3 [29.9 inHg] ± 1.0 kPa [0.3 inHg]).
- Relative humidity 20-70%.
- Compressed air quality, DIN ISO 8573-1 class 4.

Accessories

0107148 | Thread insert G3/8" male, with O-ring and mesh filter