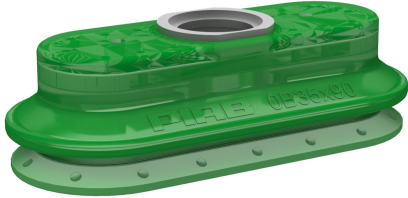


Suction cup OB35x90P Polyurethane 60

Article number: 0109912



- Suitable for level adjustment. Can handle objects with height differences and varying shapes, for example embossed or corrugated plates.
- Lifting movement to separate small and thin objects.
- In the two coloured suction cup, the bellows and the sealing lip are of different hardnesses, which makes the suction cup strong and stable and, at the same time, soft and flexible.
- DURAFLEX® are suction cups manufactured in a specially developed material that features the elasticity of rubber and wear resistance of polyurethane. The material does not leave any marks on the objects handled.

Technical data

Description	Unit	Value
Suction cup shape	-	Bellows
Application	-	Mark Free
Suction cup design	-	Oval
Characteristics	-	Mark free
Material	-	Polyurethane (PU)
Weight, min.	g	55
Suction cup model	-	OB
Volume	cm ³	38
Height	mm	27.2
Length	mm	95.6
Outer diameter, min.	mm	95.6
Fitting size	-	None
Fitting option	-	None
Fitting style	-	None
Fitting type	-	None
Width	mm	42.4
Suction cup model	-	OB35x90P PU60
Movement, vertical max.	mm	10.5
Curve radius, min.	mm	30

Performance - Lifting forces

OB35x90P PU60	Vertical (N)	Parallel (N)
20 -kPa	42	32
60 -kPa	117	85
90 -kPa	185	111

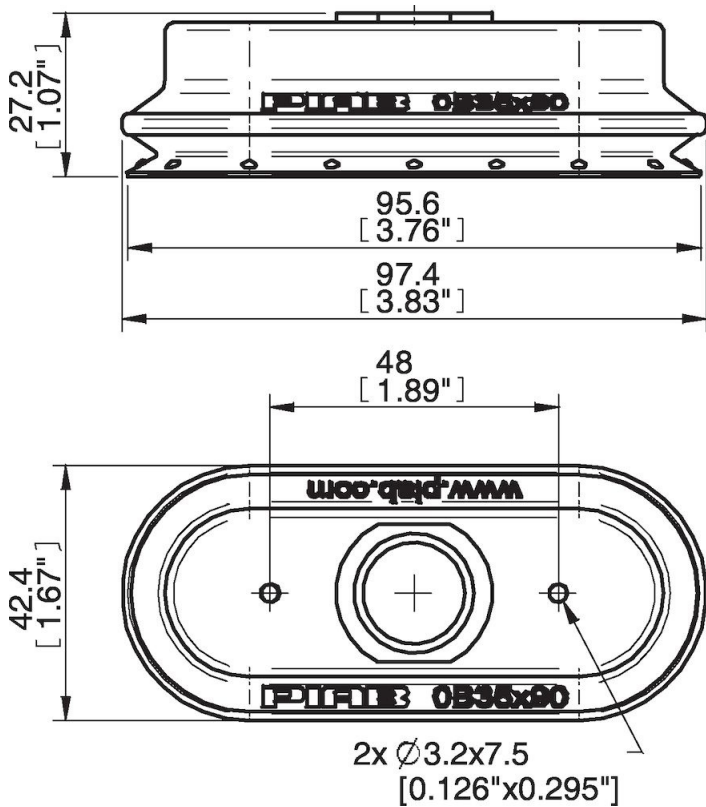
Material

Name	Polyurethane (PU60)
Colour	Green transparent
Temperature, min. °C	10
Temperature max. °C	50
Hardness °Shore A	60

Material resistance

Alcohol	n/a
Concentrated acids	Fair
Ethanol	Fair
Hydrolysis	Fair
Methanol	Poor
Oil	Excellent
Oxidation	Poor
Petrol	Fair
Wear resistance	Excellent
Weather and ozone	Excellent

Dimensional drawings



Values specified in this data sheet are tested at (unless otherwise stated):

- Room temperature (20°C [68°F] ± 3°C [5.5°F]).
- Standard atmosphere (101.3 [29.9 inHg] ± 1.0 kPa [0.3 inHg]).
- Relative humidity 20-70%.
- Compressed air quality, DIN ISO 8573-1 class 4.