

# Suction cup B5 Chloroprene

Article number: 3150286



- Lifting movement to separate small and thin objects.
- Only lightweight objects should be handled when the lifting force is parallel to the surface.
- Suitable for level adjustment.
- Suction cups of conductive silicone and semi-conductive EPDM are suitable for objects with sensitivity to static electricity.

## Technical data

Description	Unit	Value
Suction cup shape	-	Bellows
Application	-	Dry sheet metal, Plastic injection molded parts, Electronic / semiconductor
Suction cup design	-	Round
Characteristics	-	Dry sheet metal, Plastic injection molded parts, Electronic / semiconductor
Material	-	Chloroprene (CR)
Weight, min.	g	0.11
Suction cup model	-	B
Volume	cm <sup>3</sup>	0.05
Height	mm	9.2
Outer diameter, min.	mm	5.7
Outer diameter, actuated	mm	6.4
Fitting size	-	None
Fitting option	-	None
Fitting style	-	None
Fitting type	-	None
Suction cup model	-	B5
Movement, vertical max.	mm	1.5
Curve radius, min.	mm	1.5

## Performance - Lifting forces

B5	Vertical (N)	Parallel (N)
20 -kPa	0.3	
60 -kPa	0.8	
90 -kPa	1	

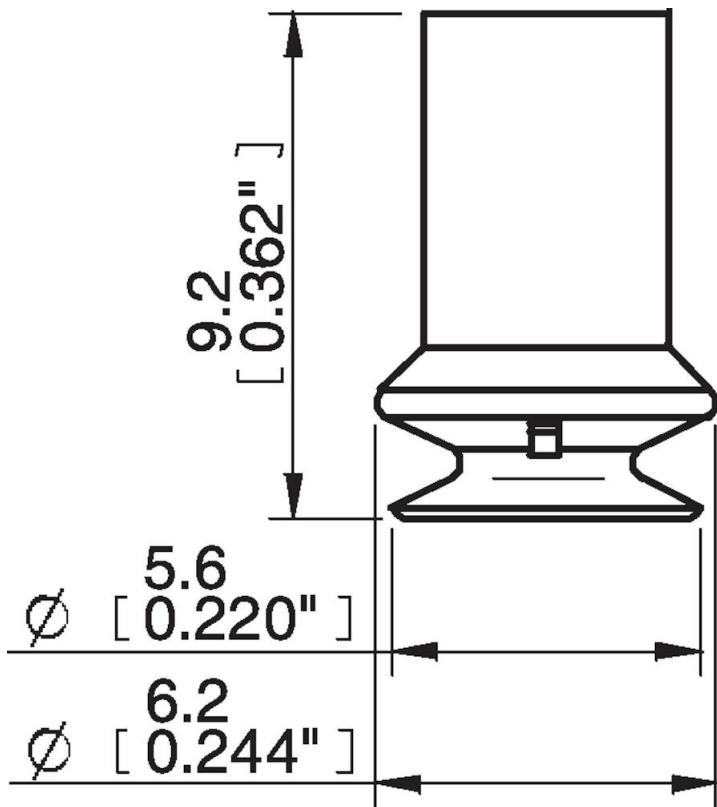
## Material

Name	Chloroprene (CR) 50° Shore A
Colour	Black
Temperature, min.   °C	-40
Temperature max.   °C	110
Hardness   °Shore A	50

## Material resistance

Alcohol	Good
Concentrated acids	Poor
Ethanol	n/a
Hydrolysis	Good
Methanol	n/a
Oil	Fair
Oxidation	Good
Petrol	Fair
Wear resistance	Excellent
Weather and ozone	Good

## Dimensional drawings



Values specified in this data sheet are tested at (unless otherwise stated):

- Room temperature (20°C [68°F] ± 3°C [5.5°F]).
- Standard atmosphere (101.3 [29.9 inHg] ± 1.0 kPa [0.3 inHg]).
- Relative humidity 20-70%.
- Compressed air quality, DIN ISO 8573-1 class 4.

## Accessories

3107031 | Fitting M5 male, 5-8