

COAX® cartridge MIDI Si32-2, holding cap

Article number: 0107126



- Two-stage COAX® cartridge - MIDI - with small mounting dimension for limited spaces.
- Large vacuum flow in relation to energy consumption.
- Suitable for high-volume evacuation when handling porous materials or if surface leakage is present.
- Efficient generator of blow-air. Recommended for low overpressures (0 - 0.05 MPa).

Technical data

Description	Unit	Value
Material	-	Al, Nitrile (NBR), PA, SS
Temperature, max.	°C	80
Temperature, min.	°C	-10
Weight, max.	g	57
Weight, min.	g	27
Feed pressure, max.	MPa	0.7

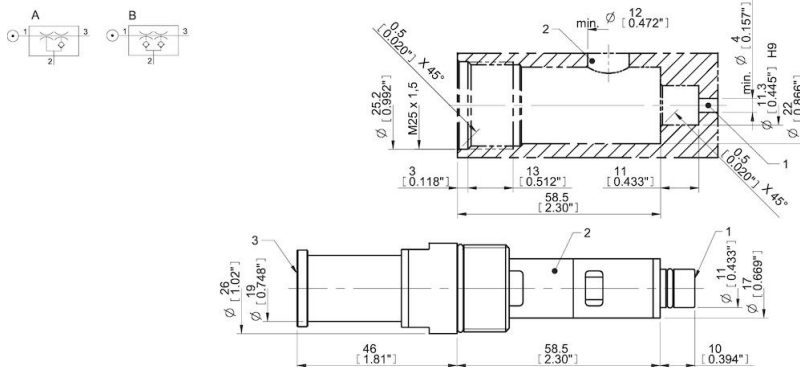
Performance

Feed pressure MPa	Air consumption NI/s	Vacuum flow (NI/s) at different vacuum levels (-kPa)													Max vacuum kPa	
		0	10	20	30	40	50	60	70	75	80	90	95	99		
0.4	1.25	3.1	2.6	1.9	1.2	0.8	0.4	0.1	0	0	0	0	0	0	0	≥60
0.5	1.5	3.2	2.9	2.2	1.4	0.85	0.62	0.35	0.18	0	0	0	0	0	≥70	
0.6	1.75	3.3	3	2.6	1.7	0.9	0.6	0.5	0.35	0	0	0	0	0	≥75	

Feed pressure MPa	Air consumption NI/s	Evacuation time (s/l) to reach different vacuum levels (-kPa)													Max vacuum kPa
		10	20	30	40	50	60	70	80	90	95	99	99.5	100.3	
0.4	1.25	0.04	0.08	0.14	0.24	0.42	1	0	0	0	0	0	0	0	≥60
0.5	1.5	0.03	0.07	0.11	0.21	0.35	0.6	1	0	0	0	0	0	0	≥70
0.6	1.75	0.03	0.07	0.1	0.18	0.33	0.53	0.8	0	0	0	0	0	0	≥75

Feed pressure MPa	Air consumption NI/s	Blow flow (NI/s) at different pressure levels (-kPa)													Max pressure kPa		
		0	10	20	30	40	50	60	70	80	90	100	110	120		130	140
0.6	1.75	5.05	4.83	4.25	3.61	3.3	2.89	2.65	2.35	1.97	0	0	0	0	0	0	≥75

Dimensional drawings



Values specified in this data sheet are tested at (unless otherwise stated):

- Room temperature (20°C [68°F] ± 3°C [5.5°F]).
- Standard atmosphere (101.3 [29.9 inHg] ± 1.0 kPa [0.3 inHg]).

- Compressed air quality, DIN ISO 8573-1 class 4.

Accessories

0111976 | Silencer COAX® MIDI

Spare parts

0109531 | Spare part kit Midi COAX

0124897 | Spare part kit Midi COAX Viton

0107130 | Cartridge holder Midi-2 cpl.