

# Suction cup B50-2 Nitrile-PVC with filter, 1/8" NPSF female, PA

Article number: 0110957



- Suitable for level adjustment. Several short bellows in one lifting device can handle objects with height differences and varying shapes, for example embossed or corrugated plates.
- Lifting movement to separate small and thin objects.
- Only lightweight objects should be handled when the lifting force is parallel to the surface of the object, in order to achieve good precision and safe lifting movement.
- With mesh filter.

## Technical data

Description	Unit	Value
Suction cup shape	-	Bellows
Application	-	Dry sheet metal, Plastic injection molded parts
Suction cup design	-	Round
Characteristics	-	Dry sheet metal, Plastic injection molded parts
Material	-	Nitrile-PVC (NPV)
Weight, min.	g	20
Suction cup model	-	B
Volume	cm <sup>3</sup>	32
Height	mm	44.4
Outer diameter, min.	mm	51.8
Outer diameter, actuated	mm	59
Fitting size	-	1/8"
Fitting option	-	Filter disc
Fitting style	-	Female
Fitting type	-	NPSF-thread
Suction cup model	-	B50-2
Movement, vertical max.	mm	12.4
Curve radius, min.	mm	30

## Performance - Lifting forces

B50-2	Vertical (N)	Parallel (N)
20 -kPa	33	24.2
60 -kPa	65	51.2
90 -kPa	82	60.8

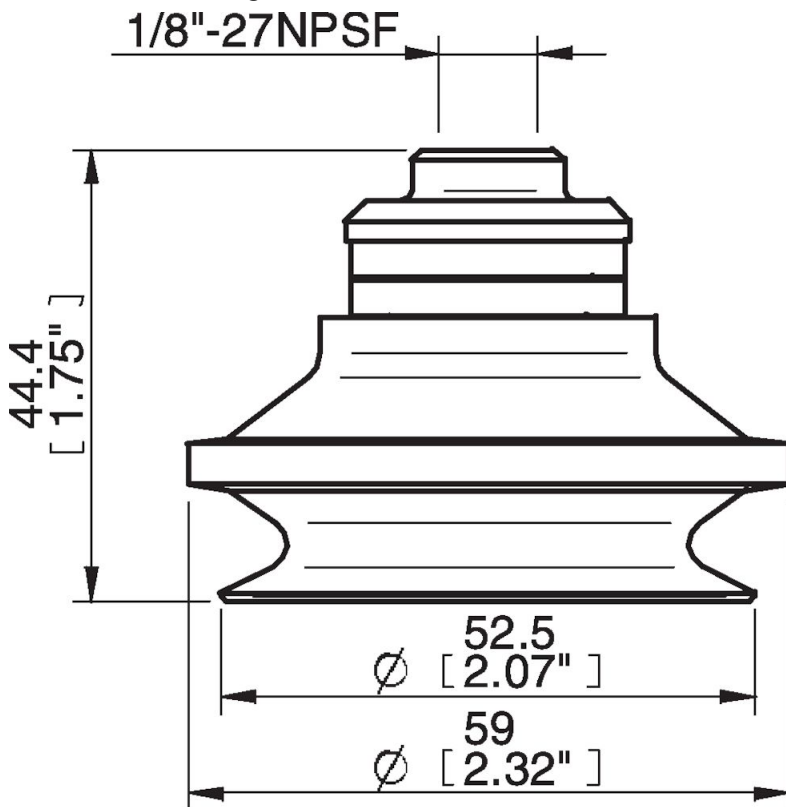
## Material

Name	Nitrile-PVC (NPV)
Colour	Black
Temperature, min.   °C	0
Temperature max.   °C	90
Hardness   °Shore A	50

## Material resistance

Alcohol	Good
Concentrated acids	Fair
Ethanol	n/a
Hydrolysis	Good
Methanol	n/a
Oil	Excellent
Oxidation	Good
Petrol	Excellent
Wear resistance	Excellent
Weather and ozone	Good

## Dimensional drawings



## Values specified in this data sheet are tested at (unless otherwise stated):

- Room temperature (20°C [68°F] ± 3°C [5.5°F]).
- Standard atmosphere (101.3 [29.9 inHg] ± 1.0 kPa [0.3 inHg]).
- Relative humidity 20-70%.
- Compressed air quality, DIN ISO 8573-1 class 4.

**Accessories**

- 0100262 | Fitting 5x1/8" NPSF female, 50
- 0101110 | Suction cup B50-2 Silicone with filter
- 0101154 | Fitting 1/8" NPSF female, 50, with mesh filter
- 0104655 | Filter D=54, 20 pcs, for B50-2
- 0200715 | Fitting G1/8" male, 50, with mesh filter
- 3250017 | Fitting 1/8" NPSF female, 50
- 3250087 | Fitting G3/8" male, 50, with mesh filter
- 3250090 | Fitting 3/8" NPT male, with mesh filter
- 3250092 | Fitting G1/4" male, 50, with mesh filter
- 3250094 | Fitting 1/4" NPT male, with mesh filter
- 3251012 | Fitting 1/8" NPSF female, 50, with dual flow control valve
- 3251013 | Fitting G1/4" male, with mesh filter and dual flow control valve
- 3251014 | Fitting 1/4" NPT male, with dual flow control valve
- 3251015 | Fitting G3/8" male, 50, with mesh filter and dual flow control valve
- 3251016 | Fitting 3/8" NPT male, with dual flow control valve
- 3251017 | Fitting 5x1/8" NPSF female, 50, with dual flow control valve

**Spare parts**

- 0101109 | Suction cup B50-2 Nitrile-PVC with filter
- 3150198 | Fitting 1/8" NPSF female, 50, PA