

# Suction cup BL40-5 Silicone

Article number: 0117611



- High initial flow, with re-enforced bellows and long, thin lip
- Suitable for handling difficult-to-handle bags, e.g., bags filled with liquid, frozen food, and for heavy bags
- Suitable working temperature is -40–200 °C
- Suitable for level compensation

## Technical data

Description	Unit	Value
Suction cup shape	-	Multibellows
Application	-	Bag handling
Suction cup design	-	Round
Characteristics	-	Bag handling
Material	-	Silicone (SIL)
Weight, min.	g	10
Suction cup model	-	BL-5
Volume	cm <sup>3</sup>	14
Height	mm	39.9
Outer diameter, min.	mm	40
Fitting size	-	None
Fitting option	-	None
Fitting style	-	None
Fitting type	-	None
Suction cup model	-	BL40-5
Movement, vertical max.	mm	20
Curve radius, min.	mm	22

## Performance - Lifting forces

BL40-5	Vertical (N)	Parallel (N)
20 -kPa	13	5.5
60 -kPa	15	10

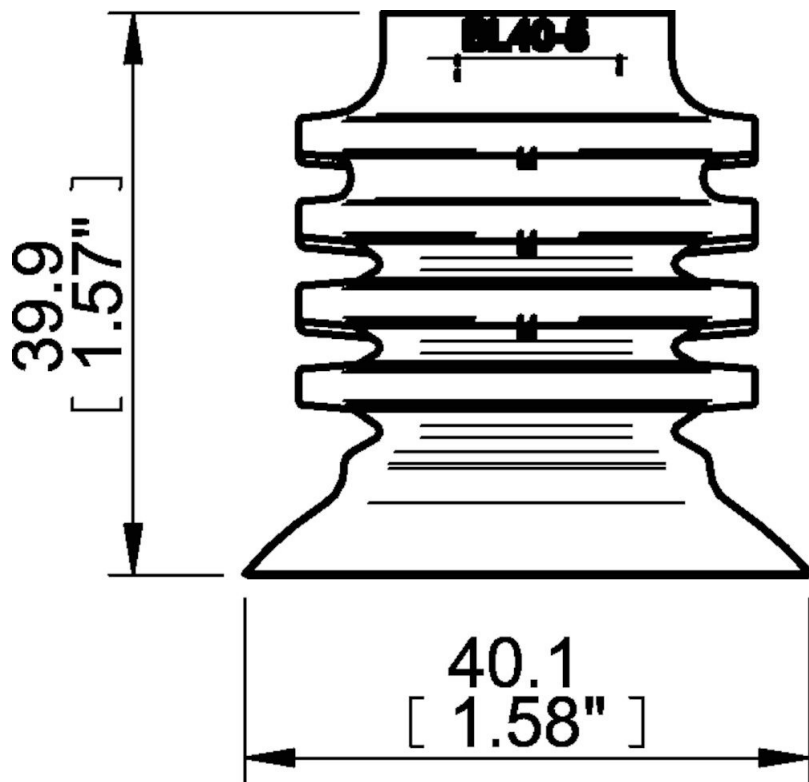
## Material

Name	Silicone, SIL 40° Shore A
Colour	Red
Temperature, min.   °C	-40
Temperature max.   °C	200
Hardness   °Shore A	40

## Material resistance

Alcohol	Good
Concentrated acids	Poor
Ethanol	n/a
Hydrolysis	Fair
Methanol	n/a
Oil	Poor
Oxidation	Excellent
Petrol	Poor
Wear resistance	Good
Weather and ozone	Excellent

## Dimensional drawings



Values specified in this data sheet are tested at (unless otherwise stated):

- Room temperature (20°C [68°F] ± 3°C [5.5°F]).
- Standard atmosphere (101.3 [29.9 inHg] ± 1.0 kPa [0.3 inHg]).
- Relative humidity 20-70%.
- Compressed air quality, DIN ISO 8573-1 class 4.

### Accessories

0112662 | Fitting G3/8" male, bag

0112692 | Fitting 3/8" NPT male, bag