

Suction cup OCF20x80P Polyurethane 55/60, G3/8" male

Article number: 0121847



- Special designed friction cups for oily surfaces, such as sheets in metal forming processes.
- Normal wear on friction cup will not affect the long term shear force performance.
- Best choice if > 0,1g/m2 press oil is used on the sheet.
- Thanks to the strong grip on oily surfaces, the suction cups can withstand high shear forces, typically 2–4 times more than corresponding conventional suction cups.
- The "OCF" design is suitable for oblong objects with slightly curved or flat surfaces.
- Fitting option, male G3/8", with a swivel function prior to the locking operation, for easy positioning of the oval cup.
- DURAFLEX® suction cups manufactured in a specially developed material that features the elasticity of rubber and wear resistance of polyurethane. The material does not leave any marks on the objects handled.

Technical data

Description	Unit	Value
Suction cup shape	-	Concave
Application	-	Oily sheet metal
Suction cup design	-	Oval
Characteristics	-	Oily sheet metal
Material	-	Polyurethane (PU)
Weight, min.	g	24
Suction cup model	-	OCF-P
Volume	cm ³	15
Height	mm	17.1
Length	mm	84
Fitting size	-	3/8"
Fitting option	-	None
Fitting style	-	Male
Fitting type	-	G-thread
Width (1)	mm	24
Suction cup model	-	OCF20x80P Dry metal sheet
Movement, vertical max.	mm	3.3
Curve radius, min.	mm	20
Suction cup model	-	OCF20x80P Oily steel plate
Movement, vertical max.	mm	3.3
Curve radius, min.	mm	20

Performance - Lifting forces

OCF20x80P Dry metal sheet	Vertical (N)	Parallel (N)
60 -kPa	75	78
90 -kPa	111	112
OCF20x80P Oily steel plate	Vertical (N)	Parallel (N)
60 -kPa	82	35
90 -kPa	90	48

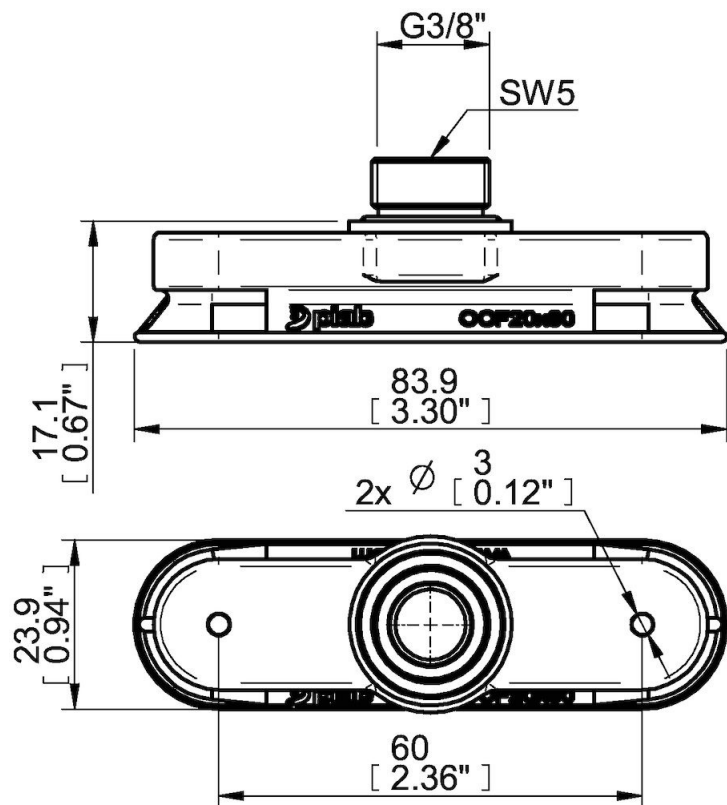
Material

Name	Polyurethane (PU55)	Polyurethane (PU60)
Colour	Orange	Green transparent
Temperature, min. °C	10	10
Temperature max. °C	50	50
Hardness °Shore A	55	60

Material resistance

Alcohol	n/a	n/a
Concentrated acids	Fair	Fair
Ethanol	Fair	Fair
Hydrolysis	Fair	Fair
Methanol	Poor	Poor
Oil	Excellent	Excellent
Oxidation	Poor	Poor
Petrol	Fair	Fair
Wear resistance	Excellent	Excellent
Weather and ozone	Excellent	Excellent

Dimensional drawings



Values specified in this data sheet are tested at (unless otherwise stated):

- Room temperature (20°C [68°F] ± 3°C [5.5°F]).
- Standard atmosphere (101.3 [29.9 inHg] ± 1.0 kPa [0.3 inHg]).
- Relative humidity 20-70%.
- Compressed air quality, DIN ISO 8573-1 class 4.