

# COAX® cartridge MIDI Xi40-3, extra non-return valve

Article number: 0118725



- Three-stage COAX® cartridge – MIDI – with high initial vacuum flow
- Deep end vacuum level, 95 -kPa
- High vacuum flow at deep vacuum levels, 75 to 95 -kPa
- Quick response time when deep vacuum is needed
- The all-round characteristics makes it suitable for several types of vacuum applications

## Technical data

Description	Unit	Value
Material	-	PA, SS, Viton®
Temperature, max.	°C	80
Temperature, min.	°C	-10
Weight, max.	g	63.2
Weight, min.	g	28.7
Feed pressure, max.	MPa	0.7

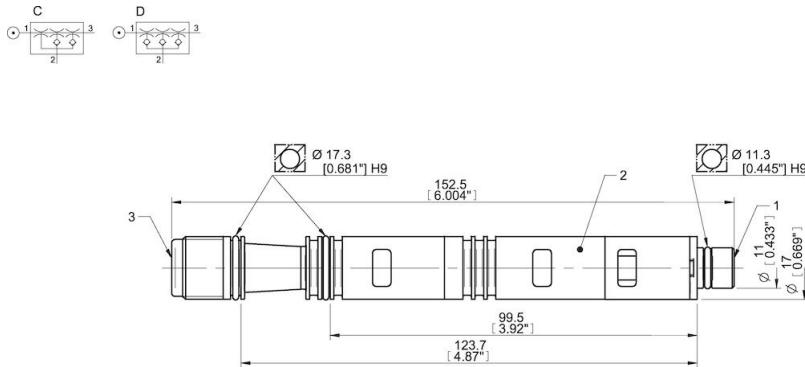
## Performance

Feed pressure MPa	Air consumption NI/s	Vacuum flow (NI/s) at different vacuum levels (-kPa)													Max vacuum kPa
		0	10	20	30	40	50	60	70	75	80	90	95	99	
0.45	1.83	5.9	3	2	1.3	0.73	0.58	0.43	0.32	0	0.18	0.03	0	0	≥95
0.5	2	6.2	3.7	2.2	1.8	1.3	0.81	0.4	0.3	0	0.14	0.02	0	0	≥94
0.6	2.33	5.9	3.2	2.2	1.6	0.9	0.52	0.4	0.31	0	0.16	0.03	0	0	≥94

Feed pressure MPa	Air consumption NI/s	Evacuation time (s/l) to reach different vacuum levels (-kPa)													Max vacuum kPa
		10	20	30	40	50	60	70	80	90	95	99	99.5	100.3	
0.45	1.83	0.022	0.062	0.12	0.22	0.37	0.57	0.84	1.2	2.2	0	0	0	0	≥95
0.5	2	0.02	0.05	0.1	0.2	0.3	0.4	0.7	1.2	2.4	0	0	0	0	≥94
0.6	2.33	0.02	0.054	0.1	0.17	0.26	0.43	0.71	1.2	2.4	0	0	0	0	≥94

Feed pressure MPa	Air consumption NI/s	Blow flow (NI/s) at different pressure levels (-kPa)													Max pressure kPa		
		0	10	20	30	40	50	60	70	80	90	100	110	120		130	140
0.6	2.33	8.43	6.18	5.09	4.62	3.92	3.53	3.39	3.23	2.95	2.58	0	0	0	0	0	≥94

## Dimensional drawings



Values specified in this data sheet are tested at (unless otherwise stated):

- Room temperature (20°C [68°F] ± 3°C [5.5°F]).
- Standard atmosphere (101.3 [29.9 inHg] ± 1.0 kPa [0.3 inHg]).

- Compressed air quality, DIN ISO 8573-1 class 4.

### **Accessories**

0111976 | Silencer COAX® MIDI

### **Spare parts**

0109531 | Spare part kit Midi COAX

0124897 | Spare part kit Midi COAX Viton

0107131 | Cartridge holder Midi-3 cpl.