

Fitting G1/8" male/M5 female, with cone valve

Article number: 0101155

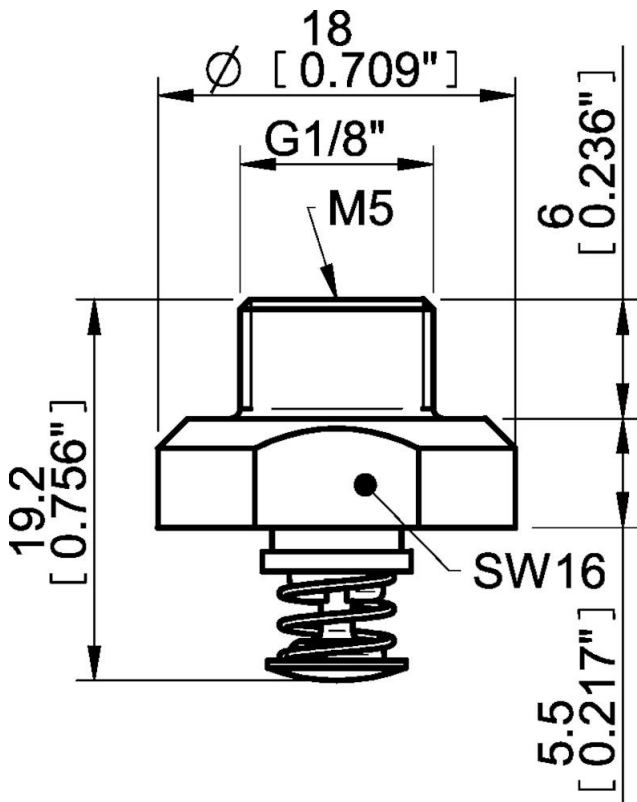


- Suits suction cups: B20, B20MF, BL20-2, D20-2, F20, F20MF, U20, F25, FC20P, FC25P, D30-2, F30-2, U30
- With cone valve only for: F30-2

Technical data

Description	Unit	Value
Material	-	Al, Nitrile (NBR), SS
Temperature, max.	°C	90
Temperature, min.	°C	-20
Weight, min.	g	4
Fitting size	-	1/8", M5
Fitting style	-	Female/Male
Fitting type	-	G-thread, M-thread

Dimensional drawings



Spare parts

3150055 | Cone valve for F30-2