

# Suction cup U8 Silicone, M5 male

Article number: 3150004S



- Suitable for objects with flat or slightly curved surfaces.
- Also used for concave objects.

## Technical data

Description	Unit	Value
Suction cup shape	-	Universal
Application	-	Plastic injection molded parts
Suction cup design	-	Round
Characteristics	-	Plastic injection molded parts
Material	-	Silicone (SIL)
Weight, min.	g	0.16
Suction cup model	-	U
Volume	cm <sup>3</sup>	0.1
Height	mm	14.5
Outer diameter, min.	mm	9
Fitting size	-	M5
Fitting option	-	None
Fitting style	-	Male
Fitting type	-	M-thread
Suction cup model	-	U8
Movement, vertical max.	mm	0.5
Curve radius, min.	mm	6

## Performance - Lifting forces

U8	Vertical (N)	Parallel (N)
20 -kPa	1	1
60 -kPa	2.9	2.9
90 -kPa	3.9	3.4

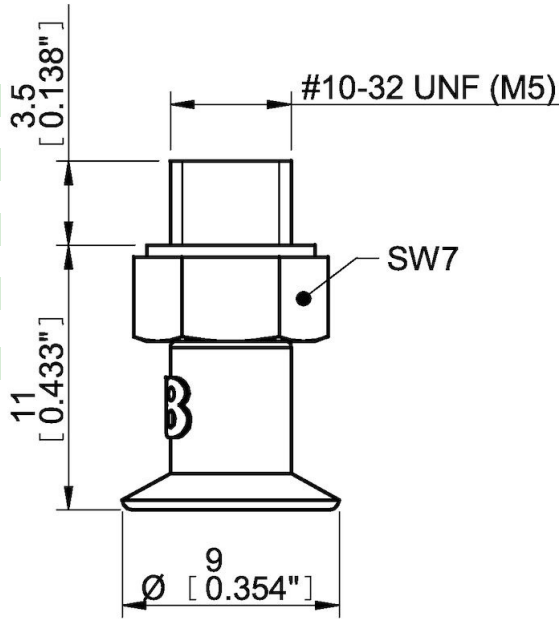
## Material

Name	Silicone, SIL 50° Shore A
Colour	Red
Temperature, min.   °C	-40
Temperature max.   °C	200
Hardness   °Shore A	50

## Material resistance

Alcohol	Good
Concentrated acids	Poor
Ethanol	n/a
Hydrolysis	Fair
Methanol	n/a
Oil	Poor
Oxidation	Excellent
Petrol	Poor
Wear resistance	Good

Water and ozone	Excellent
Name	Silicone, SIL 50° Shore A
Dimensional drawings	Red
	-40
	200
	50
	Good
	Poor
	n/a
	Fair
	n/a
	Poor
	Excellent
	Poor
	Good
	Excellent



**Values specified in this data sheet are tested at (unless otherwise stated):**

- Room temperature (20°C [68°F] ± 3°C [5.5°F]).
- Standard atmosphere (101.3 [29.9 inHg] ± 1.0 kPa [0.3 inHg]).
- Relative humidity 20-70%.
- Compressed air quality, DIN ISO 8573-1 class 4.

**Accessories**

3150116 | Suction cup U8 Chloroprene

**Spare parts**

3107031 | Fitting M5 male, 5–8

3150116S | Suction cup U8 Silicone