

Fitting 150, G1/2" female, with cone valve

Article number: 0100566

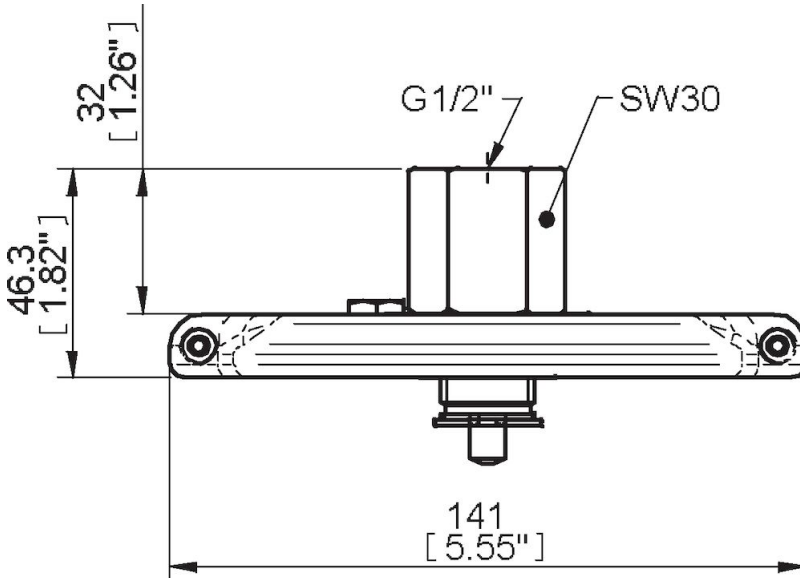


- Suits suction cups: B150, F150
- With cone valve only for: F150

Technical data

Description	Unit	Value
Material	-	Al, CuZn, Nitrile (NBR), SS
Temperature, max.	°C	90
Temperature, min.	°C	-20
Weight, min.	g	415
Fitting size	-	3/4"
Fitting style	-	Female
Fitting type	-	G-thread

Dimensional drawings



Spare parts

3350034 | Cone valve for Fitting 110 & 150