

Suction cup BX35P Polyurethane 60 with filter, G1/8" male, with mesh filter

Article number: 9912152



- Suitable for level adjustment and for uneven and porous surfaces such as cardboard, etc.
- In the two-coloured suction cup the bellows and the sealing lip are of different hardnesses, which makes the suction cup strong and stable and, at the same time, soft and flexible.
- DURAFLEX® suction cups manufactured in a specially developed material that features the elasticity of rubber and wear resistance of polyurethane.
- The material DURAFLEX® is mark free.

Technical data

| Description | Unit | Value |
|-------------------------|-----------------|--|
| Suction cup shape | - | Multibellows |
| Application | - | Dry sheet metal, Corrugated / cardboard, Plastic injection molded parts, Mark Free |
| Suction cup design | - | Round |
| Characteristics | - | Dry sheet metal, Corrugated / cardboard, Plastic injection molded parts, Mark free |
| Material | - | Polyurethane (PU) |
| Weight, min. | g | 8 |
| Suction cup model | - | BX-P |
| Volume | cm ³ | 10 |
| Height | mm | 38.8 |
| Outer diameter, min. | mm | 37 |
| Fitting size | - | 1/8" |
| Fitting option | - | Filter mesh, Filter disc |
| Fitting style | - | Male |
| Fitting type | - | G-thread |
| Suction cup model | - | BX35P PU60 |
| Movement, vertical max. | mm | 14 |
| Curve radius, min. | mm | 10 |

Performance - Lifting forces

| BX35P PU60 | Vertical (N) | Parallel (N) |
|------------|--------------|--------------|
| 20 -kPa | 15 | 14 |
| 60 -kPa | 25 | 23 |
| 90 -kPa | 30 | 28 |

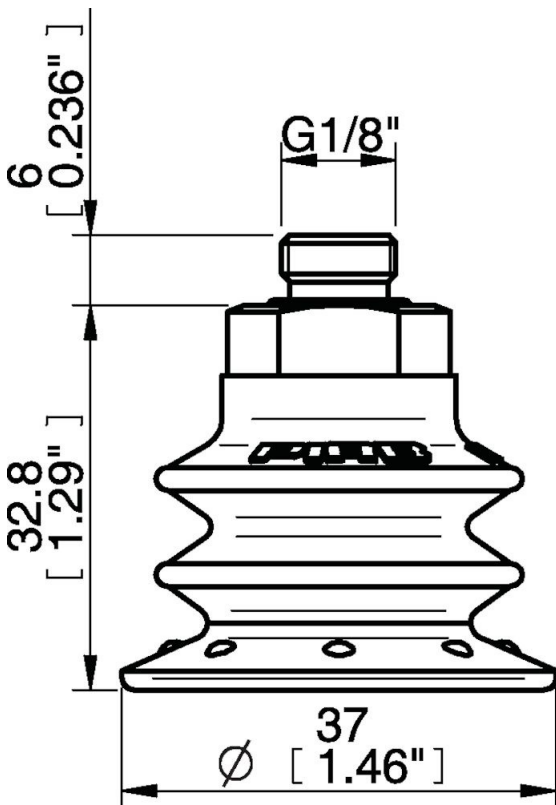
Material

| | |
|------------------------|---------------------|
| Name | Polyurethane (PU60) |
| Colour | Green transparent |
| Temperature, min. °C | 10 |
| Temperature max. °C | 50 |
| Hardness °Shore A | 60 |

Material resistance

| | |
|--------------------|-----------|
| Alcohol | n/a |
| Concentrated acids | Fair |
| Ethanol | Fair |
| Hydrolysis | Fair |
| Methanol | Poor |
| Oil | Excellent |
| Oxidation | Poor |
| Petrol | Fair |
| Wear resistance | Excellent |
| Weather and ozone | Excellent |

Dimensional drawings



Values specified in this data sheet are tested at (unless otherwise stated):

- Room temperature (20°C [68°F] ± 3°C [5.5°F]).
- Standard atmosphere (101.3 [29.9 inHg] ± 1.0 kPa [0.3 inHg]).
- Relative humidity 20-70%.
- Compressed air quality, DIN ISO 8573-1 class 4.

Accessories

0101153 | Fitting 1/8" NPSF female, 30–40, with mesh filter
0106292 | Suction cup BX35P, Polyurethane 30/60
0106619 | Suction cup BX35P Polyurethane 30/60, with filter
0107477 | Suction cup BX35P, Polyurethane 60
3250005 | Fitting 1/8" NPSF female, 30–40
3250086 | Fitting G3/8" male, 30–40, with mesh filter
3250089 | Fitting 3/8" NPT male, with mesh filter
3250091 | Fitting G1/4" male, 30–40, with mesh filter
3250093 | Fitting 1/4" NPT male, with mesh filter
3251006 | Fitting 1/8" NPSF female, 30–40, with dual flow control valve
3251007 | Fitting G1/4" male, 30–40, with mesh filter and dual flow control valve
3251008 | Fitting 1/4" NPT male, with dual flow control valve
3251009 | Fitting G3/8" male, 30–40, with mesh and dual flow control valve
3251010 | Fitting 3/8" NPT male, with dual flow control valve

Spare parts

0107376 | Suction cup BX35P Polyurethane 60, with filter
0200714 | Fitting G1/8" male, 40, with mesh filter
0201001 | Suction cup filter BX35P, 10 pcs