

Suction cup U2 Conductive silicone

Article number: 3150284SC

- Suitable for objects with flat or slightly curved surfaces.
- Also used for concave objects.
- Suction cups of conductive silicone are suitable for objects with sensitivity to static electricity.



Technical data

Description	Unit	Value
Suction cup shape	-	Universal
Application	-	Electronic / semiconductor
Suction cup design	-	Round
Characteristics	-	ESD/Conductive/Antistatic
Material	-	Silicone (SIL)
Weight, min.	g	0.012
Suction cup model	-	U
Volume	cm ³	0.003
Height	mm	3.5
Outer diameter, min.	mm	2.6
Fitting size	-	None
Fitting option	-	None
Fitting style	-	None
Fitting type	-	None
Suction cup model	-	U2
Movement, vertical max.	mm	0.1
Curve radius, min.	mm	4

Performance - Lifting forces

U2	Vertical (N)	Parallel (N)
20 -kPa	0.03	
60 -kPa	0.1	
90 -kPa	0.15	

Material

Name	Conductive Silicone (CSIL)
Colour	Black
Temperature, min. °C	-55
Temperature max. °C	230
Hardness °Shore A	50

Material resistance

Alcohol	Good
Concentrated acids	Poor
Ethanol	n/a
Hydrolysis	Fair
Methanol	n/a
Oil	Poor
Oxidation	Excellent
Petrol	Poor
Wear resistance	Good

Material and ozone

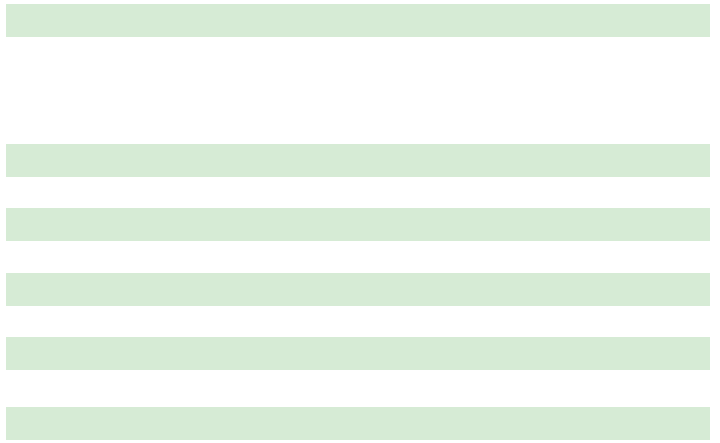
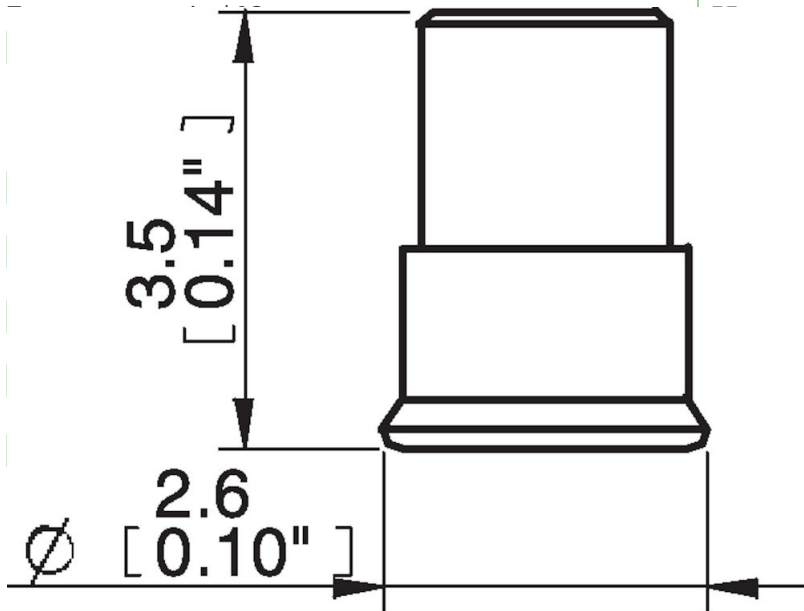
Excellent

Name

Conductive Silicone (CSIL)

Dimensional drawings

Black



Values specified in this data sheet are tested at (unless otherwise stated):

- Room temperature (20°C [68°F] ± 3°C [5.5°F]).
- Standard atmosphere (101.3 [29.9 inHg] ± 1.0 kPa [0.3 inHg]).
- Relative humidity 20-70%.
- Compressed air quality, DIN ISO 8573-1 class 4.

Accessories

3250084 | Fitting M2.5 male