

Suction cup BX52P Polyurethane 60

Article number: 0107381



- Suitable for level adjustment and for uneven and porous surfaces such as cardboard, etc.
- In the two-coloured suction cup the bellows and the sealing lip are of different hardnesses, which makes the suction cup strong and stable and, at the same time, soft and flexible.
- DURAFLEX® suction cups manufactured in a specially developed material that features the elasticity of rubber and wear resistance of polyurethane.
- The material DURAFLEX® is mark free.

Technical data

Description	Unit	Value
Suction cup shape	-	Multibellows
Application	-	Dry sheet metal, Corrugated / cardboard, Plastic injection molded parts, Mark Free
Suction cup design	-	Round
Characteristics	-	Dry sheet metal, Corrugated / cardboard, Plastic injection molded parts, Mark free
Material	-	Polyurethane (PU)
Weight, min.	g	24
Suction cup model	-	BX-P
Volume	cm ³	30
Height	mm	39
Outer diameter, min.	mm	53
Fitting size	-	None
Fitting option	-	None
Fitting style	-	None
Fitting type	-	None
Suction cup model	-	BX52P PU60
Movement, vertical max.	mm	19
Curve radius, min.	mm	32

Performance - Lifting forces

BX52P PU60	Vertical (N)	Parallel (N)
20 -kPa	35	27
60 -kPa	59	49
90 -kPa	80	56

Material

Name	Polyurethane (PU60)
Colour	Green transparent
Temperature, min. °C	10
Temperature max. °C	50
Hardness °Shore A	60

Material resistance

Alcohol	n/a
Concentrated acids	Fair
Ethanol	Fair
Hydrolysis	Fair
Methanol	Poor
Oil	Excellent
Oxidation	Poor
Petrol	Fair
Wear resistance	Excellent

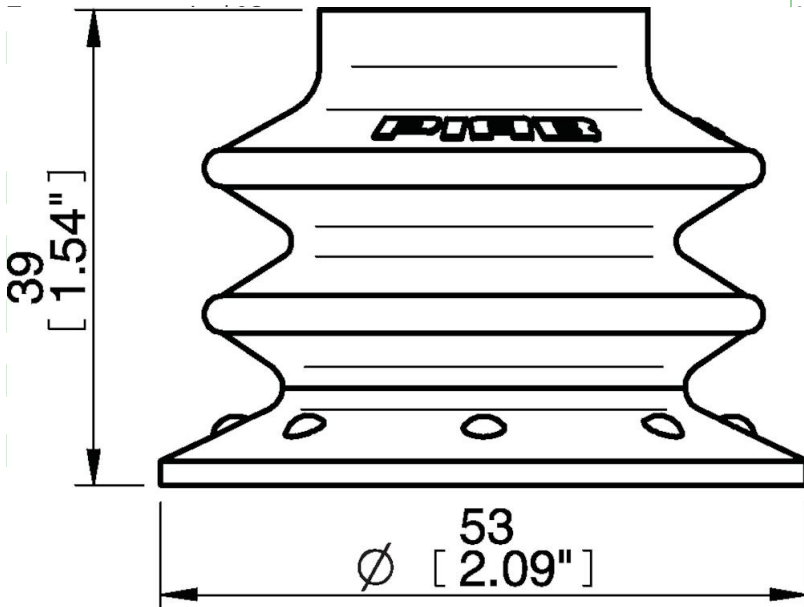
Water and ozone

Excellent

Name Polyurethane (PU60)

Dimensional drawings

Green transparent



0
0
0

/a

air

air

air

oor

xcellent

oor

air

xcellent

xcellent

Values specified in this data sheet are tested at (unless otherwise stated):

- Room temperature (20°C [68°F] ± 3°C [5.5°F]).
- Standard atmosphere (101.3 [29.9 inHg] ± 1.0 kPa [0.3 inHg]).
- Relative humidity 20-70%.
- Compressed air quality, DIN ISO 8573-1 class 4.

Accessories

- 0100262 | Fitting 5x1/8" NPSF female, 50
- 0101154 | Fitting 1/8" NPSF female, 50, with mesh filter
- 0200715 | Fitting G1/8" male, 50, with mesh filter
- 3250017 | Fitting 1/8" NPSF female, 50
- 3250087 | Fitting G3/8" male, 50, with mesh filter
- 3250090 | Fitting 3/8" NPT male, with mesh filter
- 3250092 | Fitting G1/4" male, 50, with mesh filter
- 3250094 | Fitting 1/4" NPT male, with mesh filter
- 3251012 | Fitting 1/8" NPSF female, 50, with dual flow control valve
- 3251013 | Fitting G1/4" male, with mesh filter and dual flow control valve
- 3251014 | Fitting 1/4" NPT male, with dual flow control valve
- 3251015 | Fitting G3/8" male, 50, with mesh filter and dual flow control valve
- 3251016 | Fitting 3/8" NPT male, with dual flow control valve
- 3251017 | Fitting 5x1/8" NPSF female, 50, with dual flow control valve

Spare parts

- 0201002 | Suction cup filter BX52P, 10 pcs