

Suction cup B110-2 Silicone with filter, G3/8" female, with mesh filter

Article number: 0101896



- Suitable for level adjustment. Several short bellows in one lifting device can handle objects with height differences and varying shapes, for example embossed or corrugated plates.
- Lifting movement to separate small and thin objects.
- Only lightweight objects should be handled when the lifting force is parallel to the surface of the object, in order to achieve good precision and safe lifting movement.

Technical data

Description	Unit	Value
Suction cup shape	-	Bellows
Application	-	Dry sheet metal, Plastic injection molded parts
Suction cup design	-	Round
Characteristics	-	Dry sheet metal, Plastic injection molded parts
Material	-	Silicone (SIL)
Weight, min.	g	120
Suction cup model	-	B
Volume	cm ³	310
Height	mm	70.6
Outer diameter, min.	mm	112
Outer diameter, actuated	mm	130.6
Fitting size	-	3/8"
Fitting option	-	Filter mesh
Fitting style	-	Female
Fitting type	-	G-thread
Suction cup model	-	B110
Movement, vertical max.	mm	34.6
Curve radius, min.	mm	60

Performance - Lifting forces

B110	Vertical (N)	Parallel (N)
20 -kPa	137	
60 -kPa	343	
90 -kPa	461	

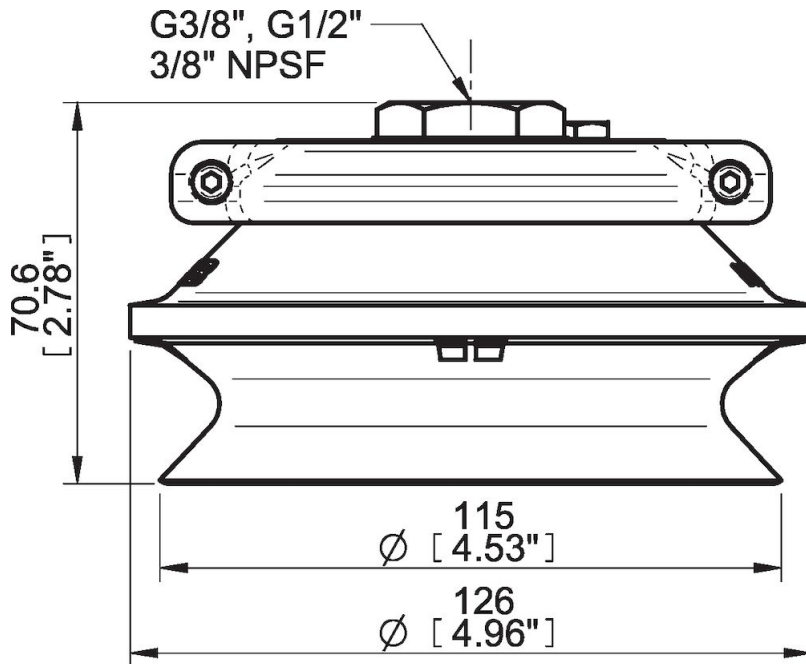
Material

Name	Silicone, SIL 50° Shore A
Colour	Red
Temperature, min. °C	-40
Temperature max. °C	200
Hardness °Shore A	50

Material resistance

Alcohol	Good
Concentrated acids	Poor
Ethanol	n/a
Hydrolysis	Fair
Methanol	n/a
Oil	Poor
Oxidation	Excellent
Petrol	Poor
Wear resistance	Good
Weather and ozone	Excellent

Dimensional drawings



Values specified in this data sheet are tested at (unless otherwise stated):

- Room temperature (20°C [68°F] ± 3°C [5.5°F]).
- Standard atmosphere (101.3 [29.9 inHg] ± 1.0 kPa [0.3 inHg]).
- Relative humidity 20-70%.
- Compressed air quality, DIN ISO 8573-1 class 4.

Accessories

- 0100559 | Fitting 110, 3/8" NPSF female, with mesh filter
- 0100561 | Fitting 110, G1/2" female, with mesh filter
- 0101944 | Suction cup B110-2 Nitrile-PVC with filter
- 0201150 | Filter D=118, 10 pcs, for B110-2
- 3250007 | Fitting G1/2" female Al, with mesh filter
- 3250097S | Suction cup B110-2 Silicone
- 3250097P | Suction cup B110-2 Nitrile-PVC

Spare parts

- 0100557 | Fitting 110 G3/8" female, with mesh filter
- 0101945 | Suction cup B110-2 Silicone with filter