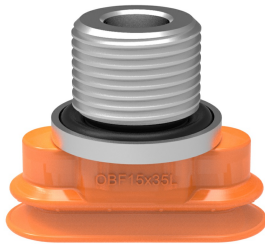


Suction cup OBF15x35P L Polyurethane 60, G3/8" male

Article number: 0207597



- Special designed friction cups for oily surfaces, such as sheets in metal forming processes.
- Normal wear on friction cup will not affect the long term shear force performance.
- Best choice if > 0,1g/m2 press oil is used on the sheet.
- Thanks to the strong grip on oily surfaces, the suction cups can withstand high shear forces, typically 2–4 times more than corresponding conventional suction cups.
- The small "OBF" cups are suitable for narrow objects with curved or flat surfaces and small gripping areas, such as those encountered with body parts in the automotive industry.
- Can handle objects with minor height differences.
- Available in a high (H) version, suitable for picking on narrow submerged surfaces, where a wider fitting otherwise will interfere with the object. Examples are frames and structural parts for the car.
- DURAFLEX® suction cups manufactured in a specially developed material that features the elasticity of rubber and wear resistance of polyurethane. The material does not leave any marks on the objects handled.

Technical data

Description	Unit	Value
Suction cup shape	-	Bellows
Application	-	Oily sheet metal
Suction cup design	-	Oval
Characteristics	-	Oily sheet metal
Material	-	Polyurethane (PU)
Weight, min.	g	14
Suction cup model	-	OBF
Volume	cm ³	1.3
Height	mm	27.1
Length	mm	36
Fitting size	-	3/8"
Fitting option	-	None
Fitting style	-	Male
Fitting type	-	G-thread
Width	mm	15
Length, actuated	mm	36.5
Width, actuated	mm	15
Material	-	Al
Suction cup model	-	OBF15x35P L Oily metal sheet
Movement, vertical max.	mm	2.9
Curve radius, min.	mm	20
Suction cup model	-	OBF15x35P L Dry metal sheet
Movement, vertical max.	mm	2.9
Curve radius, min.	mm	20

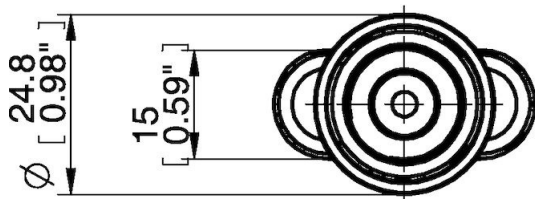
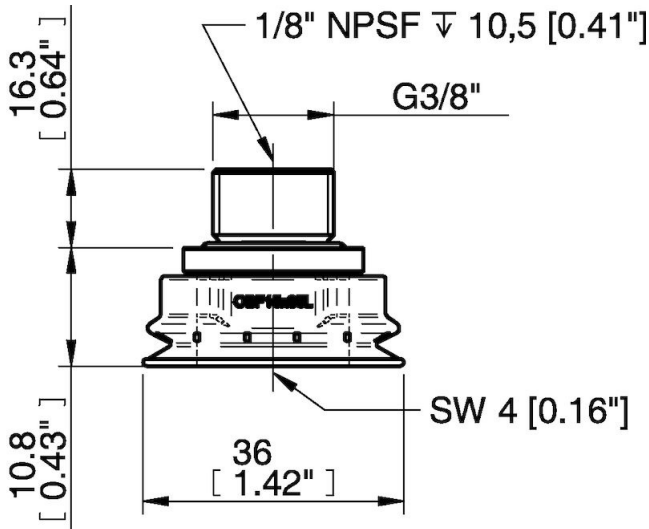
Performance - Lifting forces

OBF15x35P L Oily metal sheet	Vertical (N)	Parallel (N)
60 -kPa	19	5
90 -kPa	24	6
OBF15x35P L Dry metal sheet		
60 -kPa	25	21
90 -kPa	31	25

Material	
Name	Polyurethane (PU60)
Colour	Orange
Temperature, min. °C	10
Temperature max. °C	50
Hardness °Shore A	60

Material resistance	
Alcohol	n/a
Concentrated acids	Fair
Ethanol	Fair
Hydrolysis	Fair
Methanol	Poor
Oil	Excellent
Oxidation	Poor
Petrol	Fair
Wear resistance	Excellent
Weather and ozone	Excellent

Dimensional drawings



Values specified in this data sheet are tested at (unless otherwise stated):

- Room temperature (20°C [68°F] ± 3°C [5.5°F]).
- Standard atmosphere (101.3 [29.9 inHg] ± 1.0 kPa [0.3 inHg]).
- Relative humidity 20-70%.
- Compressed air quality, DIN ISO 8573-1 class 4.