

Suction cup B75 Nitrile-PVC, 1/8" NPSF female AI, with mesh filter

Article number: 0128117



- Suitable for level adjustment. Several short bellows in one lifting device can handle objects with height differences and varying shapes, for example embossed or corrugated plates.
- The lifting movement can be used to separate small and thin objects.
- Only lightweight objects should be handled when the lifting force is parallel to the surface of the object, in order to achieve good precision and safe lifting movement.

Technical data

Description	Unit	Value
Suction cup shape	-	Bellows
Application	-	Dry sheet metal, Plastic injection molded parts
Suction cup design	-	Round
Characteristics	-	Dry sheet metal, Plastic injection molded parts
Material	-	Nitrile-PVC (NPV)
Weight, min.	g	35
Suction cup model	-	B
Volume	cm ³	110
Height	mm	50.3
Outer diameter, min.	mm	78
Fitting size	-	1/8"
Fitting option	-	Filter mesh
Fitting style	-	Female
Fitting type	-	NPSF-thread
Suction cup model	-	B75
Movement, vertical max.	mm	24
Curve radius, min.	mm	40

Performance - Lifting forces

B75	Vertical (N)	Parallel (N)
20 -kPa	74	62.4
60 -kPa	167	122.4
90 -kPa	226	154.1

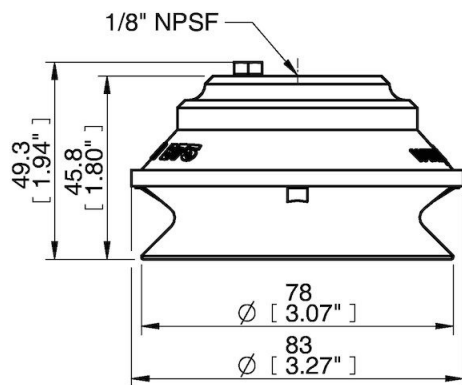
Material

Name	Nitrile-PVC (NPV)
Colour	Black
Temperature, min. °C	0
Temperature max. °C	90
Hardness °Shore A	50

Material resistance

Alcohol	Good
Concentrated acids	Fair
Ethanol	n/a
Hydrolysis	Good
Methanol	n/a
Oil	Excellent
Oxidation	Good
Petrol	Excellent
Wear resistance	Excellent
Weather and ozone	Good

Dimensional drawings



Values specified in this data sheet are tested at (unless otherwise stated):

- Room temperature (20°C [68°F] ± 3°C [5.5°F]).
- Standard atmosphere (101.3 [29.9 inHg] ± 1.0 kPa [0.3 inHg]).
- Relative humidity 20-70%.
- Compressed air quality, DIN ISO 8573-1 class 4.

Accessories

- 0100548 | Fitting 75, 1/8" NPSF female, with mesh filter
- 0100551 | Fitting 75, G3/8" female, with mesh filter
- 0100553 | Fitting 75, 3/8" NPSF female, with mesh filter
- 0100555 | Fitting 75, G1/2" female, with mesh filter
- 0127820 | Fitting G1/2" female AI, with mesh filter
- 0127821 | Fitting 1/4" NPT female AI, with mesh filter & 10-32 addl. conn.
- 3150034P | Suction cup B75 Nitrile-PVC with washer
- 3150034S | Suction cup B75 Silicone with washer
- 3150034T | Suction cup B75 HNBR with washer
- 3150107S | Suction cup B75 Silicone
- 3150107T | Suction cup B75 HNBR

Spare parts

0127819 | Fitting 1/8" NPSF female Al, with mesh filter

3150107P | Suction cup B75 Nitrile-PVC