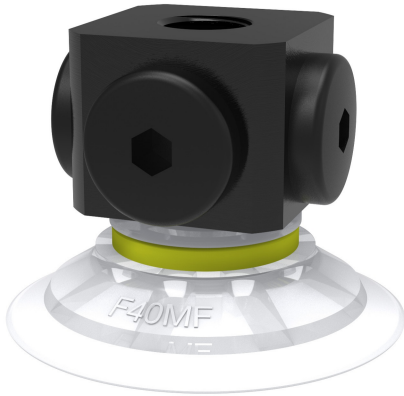


Suction cup F40MF Thermoelastic polyurethane, 5x1/8" NPSF female

Article number: 0101590



- Suction cup of TPU, a mark free material that leaves no trace on the object being handled.
- Suitable for flat surfaces.
- Good stability and little inherent movement.
- Recommended when the lifting force is parallel to the surface of the object.

Technical data

Description	Unit	Value
Suction cup shape	-	Flat
Application	-	Mark Free
Suction cup design	-	Round
Characteristics	-	Mark free
Material	-	TPE
Weight, min.	g	6
Suction cup model	-	F-MF
Volume	cm ³	4.8
Height	mm	31
Outer diameter, min.	mm	42
Outer diameter, actuated	mm	43.7
Fitting size	-	5x1/8"
Fitting option	-	None
Fitting style	-	Female
Fitting type	-	NPSF-thread
Suction cup model	-	F40MF
Movement, vertical max.	mm	1.8
Curve radius, min.	mm	60

Performance - Lifting forces

F40MF	Vertical (N)	Parallel (N)
20 -kPa	18	16
60 -kPa	57	49
90 -kPa	83	57

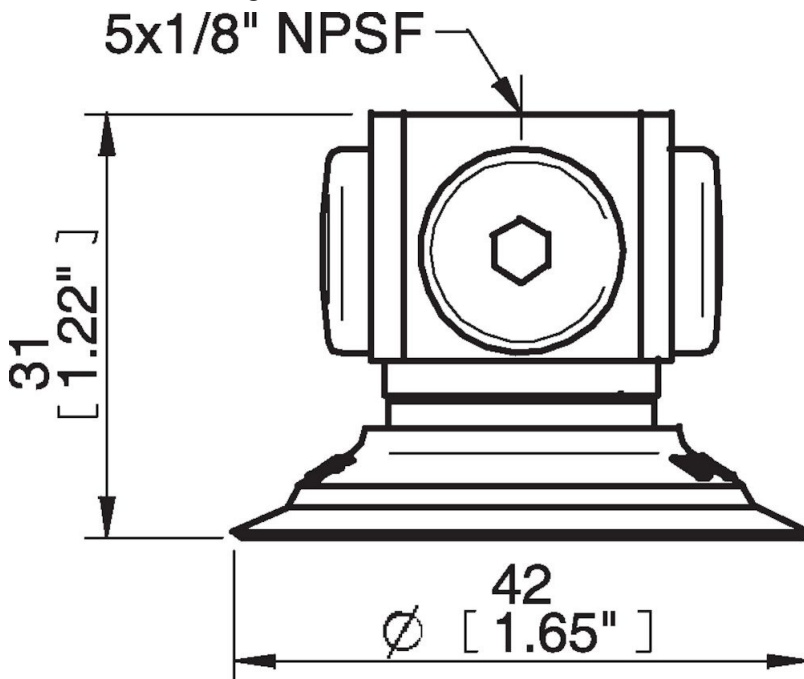
Material

Name	Thermoplastic Polyurethane (TPE-U)
Colour	White transparent
Temperature, min. °C	-20
Temperature max. °C	80
Hardness °Shore A	81

Material resistance

Alcohol	Good
Concentrated acids	Poor
Ethanol	n/a
Hydrolysis	Poor
Methanol	n/a
Oil	Excellent
Oxidation	Good
Petrol	Poor
Wear resistance	Excellent
Weather and ozone	Excellent

Dimensional drawings



Values specified in this data sheet are tested at (unless otherwise stated):

- Room temperature (20°C [68°F] ± 3°C [5.5°F]).
- Standard atmosphere (101.3 [29.9 inHg] ± 1.0 kPa [0.3 inHg]).
- Relative humidity 20-70%.
- Compressed air quality, DIN ISO 8573-1 class 4.

Accessories

- 0101153 | Fitting 1/8" NPSF female, 30–40, with mesh filter
- 3150197 | Fitting 1/8" NPSF female, 30–40, PA
- 3250005 | Fitting 1/8" NPSF female, 30–40
- 3250086 | Fitting G3/8" male, 30–40, with mesh filter
- 3250089 | Fitting 3/8" NPT male, with mesh filter
- 3250091 | Fitting G1/4" male, 30–40, with mesh filter
- 3250093 | Fitting 1/4" NPT male, with mesh filter
- 3251006 | Fitting 1/8" NPSF female, 30–40, with dual flow control valve
- 3251007 | Fitting G1/4" male, 30–40, with mesh filter and dual flow control valve
- 3251008 | Fitting 1/4" NPT male, with dual flow control valve
- 3251009 | Fitting G3/8" male, 30–40, with mesh and dual flow control valve
- 3251010 | Fitting 3/8" NPT male, with dual flow control valve
- 3251011 | Fitting 5x1/8" NPSF female, 30–40, with dual flow control valve

Spare parts

- 0100261 | Fitting 5x1/8" NPSF female, 30–40

Spare parts Suction cup F40MF Thermoelastic polyurethane
0100261 | Fitting 5x1/8" NPSF female, 30–40

0101142 | Suction cup F40MF Thermoelastic polyurethane