

Suction cup BX35P Polyurethane 30/60 with filter, G3/8" male, with mesh filter

Article number: 0107377



- Suitable for level adjustment and for uneven and porous surfaces such as cardboard, etc.
- In the two-coloured suction cup the bellows and the sealing lip are of different hardnesses, which makes the suction cup strong and stable and, at the same time, soft and flexible.
- DURAFLEX® suction cups manufactured in a specially developed material that features the elasticity of rubber and wear resistance of polyurethane.
- The material DURAFLEX® is mark free.

Technical data

Description	Unit	Value
Suction cup shape	-	Multibellows
Application	-	Dry sheet metal, Corrugated / cardboard, Plastic injection molded parts, Mark Free
Suction cup design	-	Round
Characteristics	-	Dry sheet metal, Corrugated / cardboard, Plastic injection molded parts, Mark free
Material	-	Polyurethane (PU)
Weight, min.	g	8
Suction cup model	-	BX-P
Volume	cm ³	10
Height	mm	42.8
Outer diameter, min.	mm	37
Fitting size	-	3/8"
Fitting option	-	Filter mesh, Filter disc
Fitting style	-	Male
Fitting type	-	G-thread
Suction cup model	-	BX35P PU30 PU60
Movement, vertical max.	mm	14
Curve radius, min.	mm	10

Performance - Lifting forces

BX35P PU30 PU60	Vertical (N)	Parallel (N)
20 -kPa	12	11
60 -kPa	20	19
90 -kPa	28	26

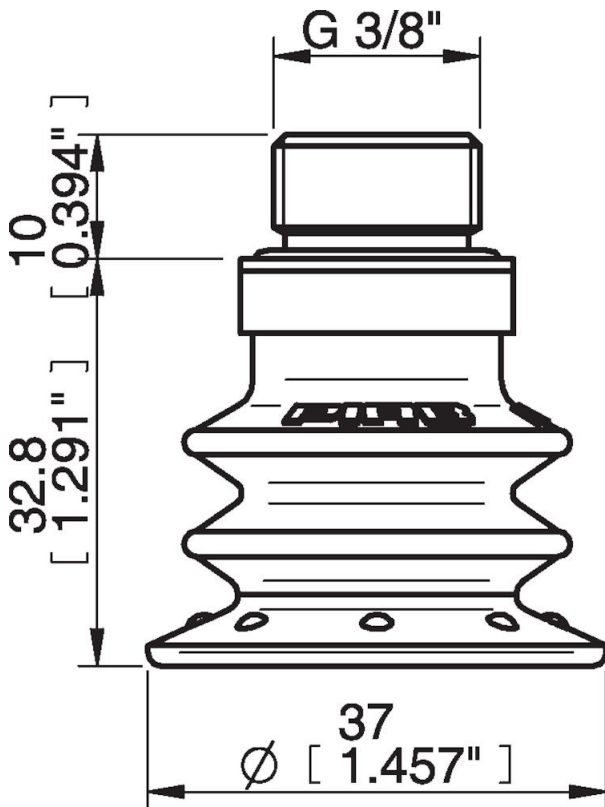
Material

Name	Polyurethane (PU30)	Polyurethane (PU60)
Colour	Yellow	Green transparent
Temperature, min. °C	10	10
Temperature max. °C	50	50
Hardness °Shore A	30	60

Material resistance

Alcohol	n/a	n/a
Concentrated acids	Fair	Fair
Ethanol	Fair	Fair
Hydrolysis	Fair	Fair
Methanol	Poor	Poor
Oil	Excellent	Excellent
Oxidation	Poor	Poor
Petrol	Fair	Fair
Wear resistance	Excellent	Excellent
Weather and ozone	Excellent	Excellent

Dimensional drawings



Values specified in this data sheet are tested at (unless otherwise stated):

- Room temperature (20°C [68°F] ± 3°C [5.5°F]).
- Standard atmosphere (101.3 [29.9 inHg] ± 1.0 kPa [0.3 inHg]).
- Relative humidity 20-70%.
- Compressed air quality, DIN ISO 8573-1 class 4.

Accessories

0101153 | Fitting 1/8" NPSF female, 30–40, with mesh filter
0106292 | Suction cup BX35P, Polyurethane 30/60
0107376 | Suction cup BX35P Polyurethane 60, with filter
0107477 | Suction cup BX35P, Polyurethane 60
0200714 | Fitting G1/8" male, 40, with mesh filter
3250005 | Fitting 1/8" NPSF female, 30–40
3250089 | Fitting 3/8" NPT male, with mesh filter
3250091 | Fitting G1/4" male, 30–40, with mesh filter
3250093 | Fitting 1/4" NPT male, with mesh filter
3251006 | Fitting 1/8" NPSF female, 30–40, with dual flow control valve
3251007 | Fitting G1/4" male, 30–40, with mesh filter and dual flow control valve
3251008 | Fitting 1/4" NPT male, with dual flow control valve
3251009 | Fitting G3/8" male, 30–40, with mesh and dual flow control valve
3251010 | Fitting 3/8" NPT male, with dual flow control valve

Spare parts

0106619 | Suction cup BX35P Polyurethane 30/60, with filter
3250086 | Fitting G3/8" male, 30–40, with mesh filter
0201001 | Suction cup filter BX35P, 10 pcs