

Suction cup B110-2 Silicone with filter, 3/8" NPSF female, with mesh filter

Article number: 0101897



- Suitable for level adjustment. Several short bellows in one lifting device can handle objects with height differences and varying shapes, for example embossed or corrugated plates.
- Lifting movement to separate small and thin objects.
- Only lightweight objects should be handled when the lifting force is parallel to the surface of the object, in order to achieve good precision and safe lifting movement.

Technical data

| Description | Unit | Value |
|--------------------------|-----------------|---|
| Suction cup shape | - | Bellows |
| Application | - | Dry sheet metal, Plastic injection molded parts |
| Suction cup design | - | Round |
| Characteristics | - | Dry sheet metal, Plastic injection molded parts |
| Material | - | Silicone (SIL) |
| Weight, min. | g | 120 |
| Suction cup model | - | B |
| Volume | cm ³ | 310 |
| Height | mm | 70.6 |
| Outer diameter, min. | mm | 112 |
| Outer diameter, actuated | mm | 130.6 |
| Fitting size | - | 3/8" |
| Fitting option | - | Filter mesh |
| Fitting style | - | Female |
| Fitting type | - | NPSF-thread |
| Suction cup model | - | B110 |
| Movement, vertical max. | mm | 34.6 |
| Curve radius, min. | mm | 60 |

Performance - Lifting forces

| B110 | Vertical (N) | Parallel (N) |
|---------|--------------|--------------|
| 20 -kPa | 137 | |
| 60 -kPa | 343 | |
| 90 -kPa | 461 | |

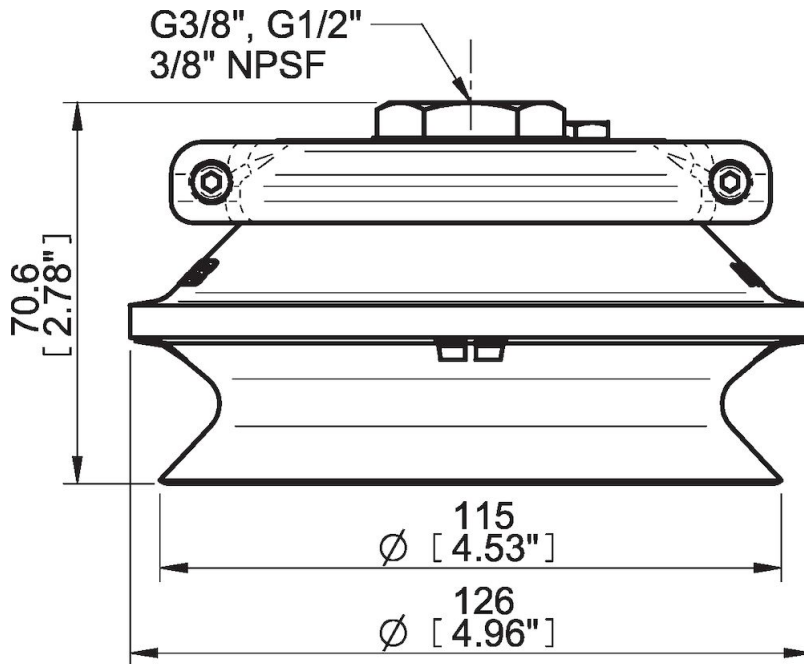
Material

| | |
|------------------------|---------------------------|
| Name | Silicone, SIL 50° Shore A |
| Colour | Red |
| Temperature, min. °C | -40 |
| Temperature max. °C | 200 |
| Hardness °Shore A | 50 |

Material resistance

| | |
|--------------------|-----------|
| Alcohol | Good |
| Concentrated acids | Poor |
| Ethanol | n/a |
| Hydrolysis | Fair |
| Methanol | n/a |
| Oil | Poor |
| Oxidation | Excellent |
| Petrol | Poor |
| Wear resistance | Good |
| Weather and ozone | Excellent |

Dimensional drawings



Values specified in this data sheet are tested at (unless otherwise stated):

- Room temperature (20°C [68°F] ± 3°C [5.5°F]).
- Standard atmosphere (101.3 [29.9 inHg] ± 1.0 kPa [0.3 inHg]).
- Relative humidity 20-70%.
- Compressed air quality, DIN ISO 8573-1 class 4.

Accessories

0100557 | Fitting 110 G3/8" female, with mesh filter
0100561 | Fitting 110, G1/2" female, with mesh filter
0101944 | Suction cup B110-2 Nitrile-PVC with filter
0201150 | Filter D=118, 10 pcs, for B110-2
3250007 | Fitting G1/2" female Al, with mesh filter
3250097S | Suction cup B110-2 Silicone
3250097P | Suction cup B110-2 Nitrile-PVC

Spare parts

0100559 | Fitting 110, 3/8" NPSF female, with mesh filter
0101945 | Suction cup B110-2 Silicone with filter