

# Suction cup B110 Nitrile-PVC, 3/8" NPSF female, with mesh filter

Article number: 0101891



- Suitable for level adjustment. Several short bellows in one lifting device can handle objects with height differences and varying shapes, for example embossed or corrugated plates.
- The lifting movement can be used to separate small and thin objects.
- Only lightweight objects should be handled when the lifting force is parallel to the surface of the object, in order to achieve good precision and safe lifting movement.

## Technical data

Description	Unit	Value
Suction cup shape	-	Bellows
Application	-	Dry sheet metal
Suction cup design	-	Round
Characteristics	-	Dry sheet metal
Material	-	Nitrile-PVC (NPV)
Weight, min.	g	120
Suction cup model	-	B
Volume	cm <sup>3</sup>	310
Height	mm	70.6
Outer diameter, min.	mm	118
Outer diameter, actuated	mm	129
Fitting size	-	3/8"
Fitting option	-	Filter mesh
Fitting style	-	Female
Fitting type	-	NPSF-thread
Suction cup model	-	B110
Movement, vertical max.	mm	34.6
Curve radius, min.	mm	60

## Performance - Lifting forces

B110	Vertical (N)	Parallel (N)
20 -kPa	137	
60 -kPa	343	
90 -kPa	461	

## Material

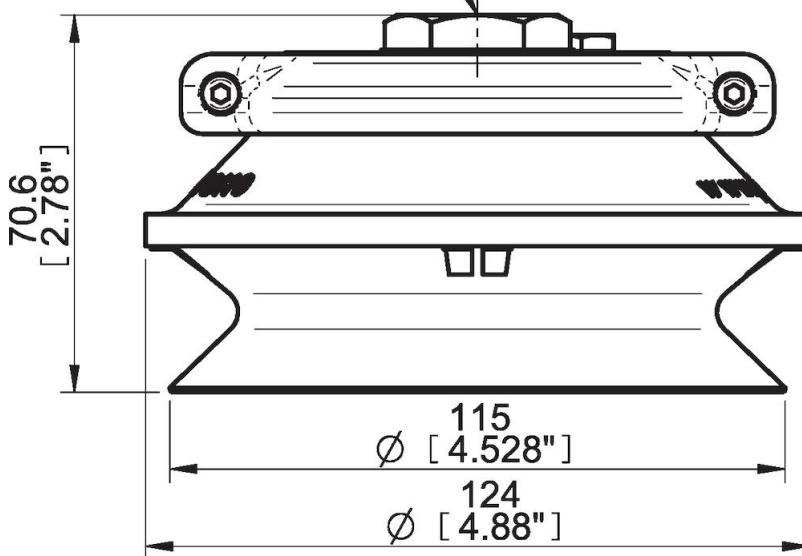
Name	Nitrile-PVC (NPV)
Colour	Black
Temperature, min.   °C	0
Temperature max.   °C	90
Hardness   °Shore A	50

## Material resistance

Alcohol	Good
Concentrated acids	Fair
Ethanol	n/a
Hydrolysis	Good
Methanol	n/a
Oil	Excellent
Oxidation	Good
Petrol	Excellent
Wear resistance	Excellent
Weather and ozone	Good

## Dimensional drawings

G3/8", G1/2"  
3/8" NPSF



Values specified in this data sheet are tested at (unless otherwise stated):

- Room temperature (20°C [68°F] ± 3°C [5.5°F]).
- Standard atmosphere (101.3 [29.9 inHg] ± 1.0 kPa [0.3 inHg]).
- Relative humidity 20-70%.
- Compressed air quality, DIN ISO 8573-1 class 4.

## Accessories

- 0100557 | Fitting 110 G3/8" female, with mesh filter
- 0100561 | Fitting 110, G1/2" female, with mesh filter
- 3150035T | Suction cup B110 HNBR with washer
- 3150108T | Suction cup B110 HNBR
- 3250007 | Fitting G1/2" female Al, with mesh filter
- 3150108S | Suction cup B110 Silicone
- 3150108P | Suction cup B110 Nitrile-PVC

## Spare parts

- 0100559 | Fitting 110, 3/8" NPSF female, with mesh filter
- 3150108P | Suction cup B110 Nitrile-PVC