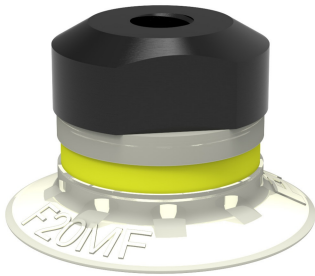


Suction cup F20MF Thermoelastic polyurethane, M5 female

Article number: 0101281



- Suction cup of TPU, a mark free material that leaves no trace on the object being handled.
- Suitable for flat surfaces.
- Good stability and little inherent movement.
- Recommended when the lifting force is parallel to the surface of the object.

Technical data

Description	Unit	Value
Suction cup shape	-	Flat
Application	-	Mark Free
Suction cup design	-	Round
Characteristics	-	Mark free
Material	-	TPE
Weight, min.	g	1.2
Suction cup model	-	F-MF
Volume	cm ³	1
Height	mm	14
Outer diameter, min.	mm	22
Outer diameter, actuated	mm	23.2
Fitting size	-	None
Fitting option	-	None
Fitting style	-	Female
Fitting type	-	M-thread
Suction cup model	-	F20MF
Movement, vertical max.	mm	1.2
Curve radius, min.	mm	18

Performance - Lifting forces

F20MF	Vertical (N)	Parallel (N)
20 -kPa	3.6	8
60 -kPa	14.5	14.5
90 -kPa	22	21

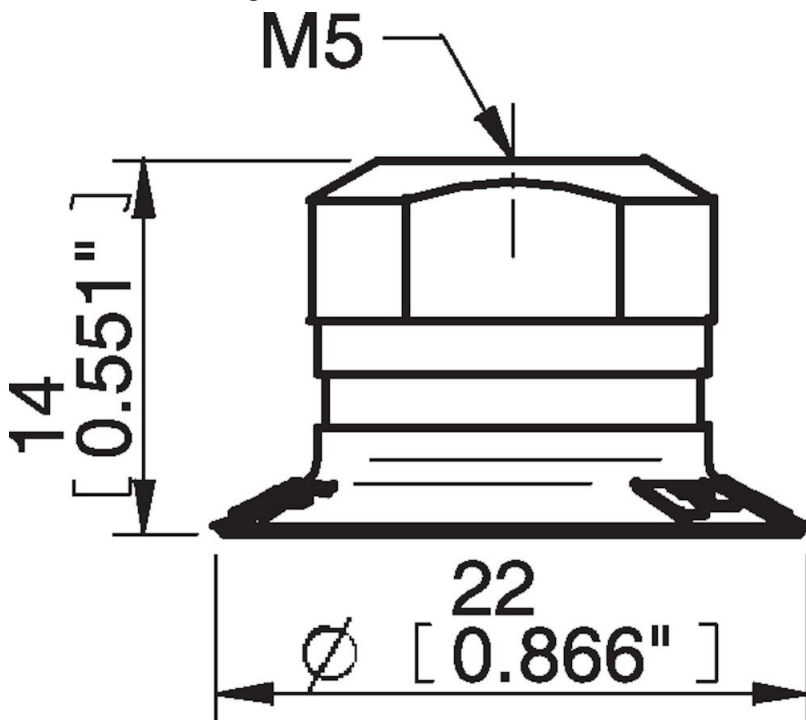
Material

Name	Thermoplastic Polyurethane (TPE-U)
Colour	White transparent
Temperature, min. °C	-20
Temperature max. °C	80
Hardness °Shore A	81

Material resistance

Alcohol	Good
Concentrated acids	Poor
Ethanol	n/a
Hydrolysis	Poor
Methanol	n/a
Oil	Excellent
Oxidation	Good
Petrol	Poor
Wear resistance	Excellent
Weather and ozone	Excellent

Dimensional drawings



Values specified in this data sheet are tested at (unless otherwise stated):

- Room temperature (20°C [68°F] ± 3°C [5.5°F]).
- Standard atmosphere (101.3 [29.9 inHg] ± 1.0 kPa [0.3 inHg]).
- Relative humidity 20-70%.
- Compressed air quality, DIN ISO 8573-1 class 4.

Accessories

- 0100260 | Fitting 5xM5 female
- 0101152 | Fitting G1/8" male/M5 female, with mesh filter
- 3150196 | Fitting G1/8" male/M5 female, PA
- 3250004 | Fitting G1/8" male/M5 female
- 3250085 | Fitting G1/8" male, with mesh filter
- 3250088 | Fitting 1/8" NPT male, with mesh filter
- 3251001 | Fitting M5 female, with dual flow control valve
- 3251003 | Fitting 1/8" NPT male, with dual flow control valve
- 3251004 | Fitting G1/8" male/M5 female, with dual flow control valve
- 3251005 | Fitting 5xM5 female, with dual flow control valve

Spare parts

- 0101139 | Suction cup F20MF Thermoelastic polyurethane
- 3250003 | Fitting M5 female