

# Suction cup BX52P Polyurethane 30/60 with filter, 5x1/8" NPSF female, with dual flow control valve

Article number: 0106742



- Suitable for level adjustment and for uneven and porous surfaces such as cardboard, etc.
- In the two-coloured suction cup the bellows and the sealing lip are of different hardnesses, which makes the suction cup strong and stable and, at the same time, soft and flexible.
- DURAFLEX® suction cups manufactured in a specially developed material that features the elasticity of rubber and wear resistance of polyurethane.
- The material DURAFLEX® is mark free.

## Technical data

Description	Unit	Value
Suction cup shape	-	Multibellows
Application	-	Dry sheet metal, Corrugated / cardboard, Plastic injection molded parts, Mark Free
Suction cup design	-	Round
Characteristics	-	Dry sheet metal, Corrugated / cardboard, Plastic injection molded parts, Mark free
Material	-	Polyurethane (PU)
Weight, min.	g	24
Suction cup model	-	BX-P
Volume	cm <sup>3</sup>	30
Leakage flow, max.	ml/s	0.16
Height	mm	57
Outer diameter, min.	mm	53
Fitting size	-	5x1/8"
Fitting option	-	Dual flow control valve, Filter disc
Fitting style	-	Female
Fitting type	-	NPSF-thread
Valve restriction	mm	1
Suction cup model	-	BX52P PU30 PU60
Movement, vertical max.	mm	19
Curve radius, min.	mm	32

## Performance - Lifting forces

BX52P PU30 PU60	Vertical (N)	Parallel (N)
20 -kPa	32	25
60 -kPa	56	44
90 -kPa	75	54

## Material

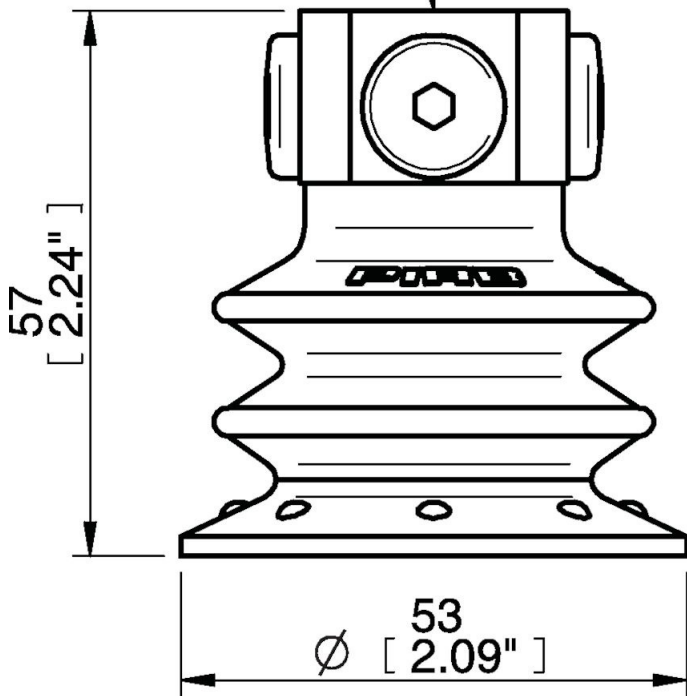
Name	Polyurethane (PU30)	Polyurethane (PU60)
Colour	Yellow	Green transparent
Temperature, min.   °C	10	10
Temperature max.   °C	50	50
Hardness   °Shore A	30	60

## Material resistance

Alcohol	n/a	n/a
Concentrated acids	Fair	Fair
Ethanol	Fair	Fair
Hydrolysis	Fair	Fair
Methanol	Poor	Poor
Oil	Excellent	Excellent
Oxidation	Poor	Poor
Petrol	Fair	Fair
Wear resistance	Excellent	Excellent
Weather and ozone	Excellent	Excellent

## Dimensional drawings

### 5X1/8" NPSF



## Values specified in this data sheet are tested at (unless otherwise stated):

- Room temperature (20°C [68°F] ± 3°C [5.5°F]).
- Standard atmosphere (101.3 [29.9 inHg] ± 1.0 kPa [0.3 inHg]).
- Relative humidity 20-70%.
- Compressed air quality, DIN ISO 8573-1 class 4.

**Accessories**

0100262 | Fitting 5x1/8" NPSF female, 50  
0101154 | Fitting 1/8" NPSF female, 50, with mesh filter  
0104529 | Suction cup BX52P Polyurethane 30/60  
0107381 | Suction cup BX52P Polyurethane 60  
0108039 | Suction cup BX52P Polyurethane 60, with filter  
0200715 | Fitting G1/8" male, 50, with mesh filter  
3250017 | Fitting 1/8" NPSF female, 50  
3250087 | Fitting G3/8" male, 50, with mesh filter  
3250090 | Fitting 3/8" NPT male, with mesh filter  
3250092 | Fitting G1/4" male, 50, with mesh filter  
3250094 | Fitting 1/4" NPT male, with mesh filter  
3251012 | Fitting 1/8" NPSF female, 50, with dual flow control valve  
3251013 | Fitting G1/4" male, with mesh filter and dual flow control valve  
3251014 | Fitting 1/4" NPT male, with dual flow control valve  
3251015 | Fitting G3/8" male, 50, with mesh filter and dual flow control valve  
3251016 | Fitting 3/8" NPT male, with dual flow control valve

**Spare parts**

0104729 | Suction cup BX52P Polyurethane 30/60, with filter  
3251017 | Fitting 5x1/8" NPSF female, 50, with dual flow control valve  
0201002 | Suction cup filter BX52P, 10 pcs