

Vacuum pump MAXI MLL800, NBR sealings

Article number: 3101058



- Largest compressed-air driven pump in the market

Technical data

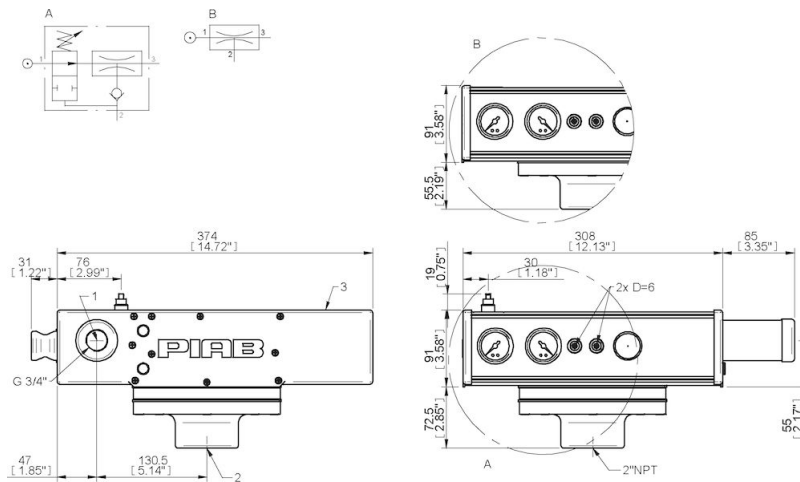
Description	Unit	Value
Material	-	Al, PPS, Nitrile (NBR), SS
Temperature, max.	°C	80
Temperature, min.	°C	-20
Weight, min.	g	7700
Feed pressure, max.	MPa	0.7
Noise level, max.	dBA	76
Noise level, min.	dBA	72

Performance

Feed pressure MPa	Air consumption Nl/s	Vacuum flow (Nl/s) at different vacuum levels (-kPa)													Max vacuum kPa
		0	10	20	30	40	50	60	70	75	80	90	95	99	
0.6	56	176	99	67	35	17.6	12.3	8.8	4.2	0	1.8	0.04	0	0	≥91

Feed pressure MPa	Air consumption Nl/s	Evacuation time (s/l) to reach different vacuum levels (-kPa)													Max vacuum kPa
		10	20	30	40	50	60	70	80	90	95	99	99.5	100.3	
0.6	56	0.0008	0.0018	0.0035	0.008	0.014	0.024	0.04	0.072	0.2	0	0	0	0	≥91

Dimensional drawings



Values specified in this data sheet are tested at (unless otherwise stated):

- Room temperature (20°C [68°F] ± 3°C [5.5°F]).
- Standard atmosphere (101.3 [29.9 inHg] ± 1.0 kPa [0.3 inHg]).
- Compressed air quality, DIN ISO 8573-1 class 4.

Spare parts

- 3101092 | Sealing kit MAXI MLL800, NBR
- 3101092E | Sealing kit MAXI MLL800, EPDM
- 3101092V | Sealing kit MAXI MLL800, Viton®