

Suction cup B150 Nitrile-PVC, G1/2" female AI, with mesh filter

Article number: 3150031P



- Suitable for level adjustment. Several short bellows in one lifting device can handle objects with height differences and varying shapes, for example embossed or corrugated plates.
- The lifting movement can be used to separate small and thin objects.
- Only lightweight objects should be handled when the lifting force is parallel to the surface of the object, in order to achieve good precision and safe lifting movement.

Technical data

Description	Unit	Value
Suction cup shape	-	Bellows
Application	-	Dry sheet metal, Plastic injection molded parts
Suction cup design	-	Round
Characteristics	-	Dry sheet metal, Plastic injection molded parts
Material	-	Nitrile-PVC (NPV)
Weight, min.	g	265
Suction cup model	-	B
Volume	cm ³	650
Height	mm	78.3
Outer diameter, min.	mm	155
Fitting size	-	1/2"
Fitting option	-	Filter mesh
Fitting style	-	Female
Fitting type	-	G-thread
Suction cup model	-	B150
Movement, vertical max.	mm	46.6
Curve radius, min.	mm	75

Performance - Lifting forces

B150	Vertical (N)	Parallel (N)
20 -kPa	294	
60 -kPa	686	
90 -kPa	883	

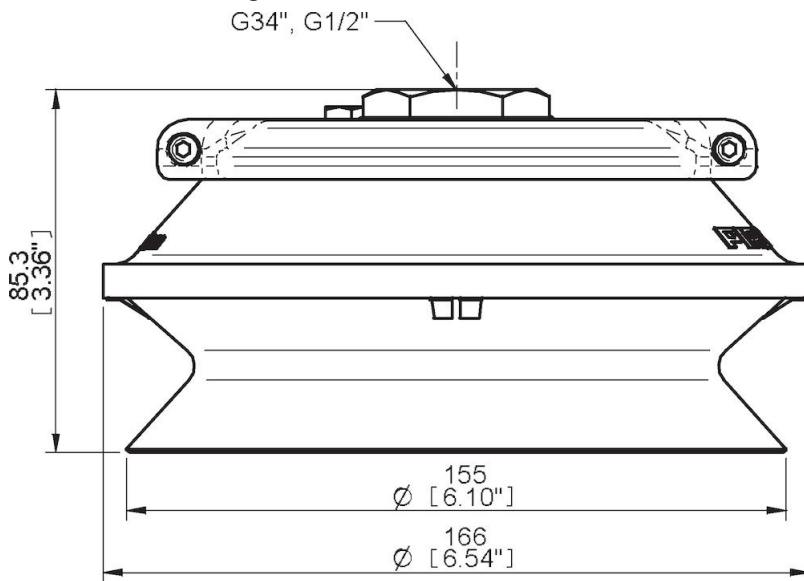
Material

Name	Nitrile-PVC (NPV)
Colour	Black
Temperature, min. °C	0
Temperature max. °C	90
Hardness °Shore A	50

Material resistance

Alcohol	Good
Concentrated acids	Fair
Ethanol	n/a
Hydrolysis	Good
Methanol	n/a
Oil	Excellent
Oxidation	Good
Petrol	Excellent
Wear resistance	Excellent
Weather and ozone	Good

Dimensional drawings



Values specified in this data sheet are tested at (unless otherwise stated):

- Room temperature (20°C [68°F] ± 3°C [5.5°F]).
- Standard atmosphere (101.3 [29.9 inHg] ± 1.0 kPa [0.3 inHg]).
- Relative humidity 20-70%.
- Compressed air quality, DIN ISO 8573-1 class 4.

Accessories

- 0100567 | Fitting 150, G3/4" female, with mesh filter
- 3250008 | Fitting G1/2" female Al, with mesh filter
- 3150109S | Suction cup B150 Silicone
- 3150109P | Suction cup B150 Nitrile-PVC

Spare parts

- 0100564 | Fitting 150, G1/2" female, with mesh filter
- 3150109P | Suction cup B150 Nitrile-PVC