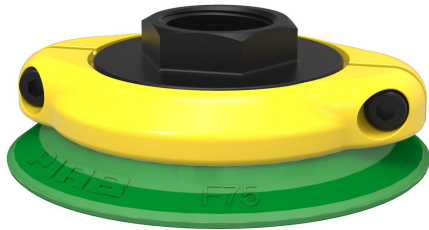


Suction cup F75P Polyurethane 60, G1/2" female, with mesh filter

Article number: 0111588



- Suitable for flat and rough surfaces.
- Fair stability and little inherent movement.
- Recommended when the lifting force is parallel to the surface of the object.
- In the two-coloured suction cup the bellows and the sealing lip are of different hardnesses, which makes the suction cup strong and stable and, at the same time, soft and flexible.
- DURAFLEX® suction cups manufactured in a specially developed material that features the elasticity of rubber and wear resistance of polyurethane. The material does not leave any marks on the objects handled.

Technical data

Description	Unit	Value
Suction cup shape	-	Flat
Application	-	Dry sheet metal, Mark Free
Suction cup design	-	Round
Characteristics	-	Dry sheet metal, Mark free
Material	-	Polyurethane (PU)
Weight, min.	g	53
Suction cup model	-	F
Volume	cm ³	19
Height	mm	26
Outer diameter, min.	mm	77
Outer diameter, actuated	mm	80
Fitting size	-	1/2"
Fitting option	-	Filter mesh
Fitting style	-	Female
Fitting type	-	G-thread
Suction cup model	-	F75P PU60
Movement, vertical max.	mm	2
Curve radius, min.	mm	150

Performance - Lifting forces

F75P PU60	Vertical (N)	Parallel (N)
20 -kPa	82	47
60 -kPa	231	113
90 -kPa	330	169

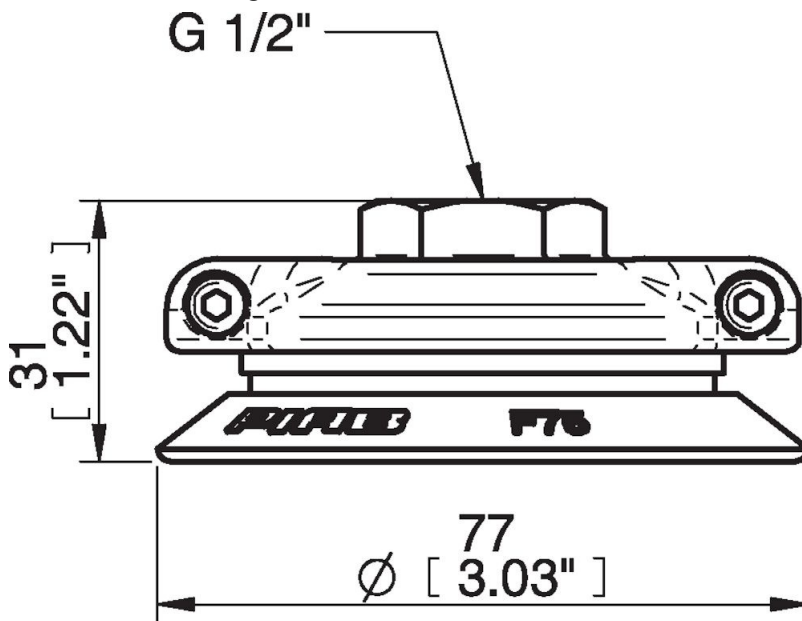
Material

Name	Polyurethane (PU60)
Colour	Green transparent
Temperature, min. °C	10
Temperature max. °C	50
Hardness °Shore A	60

Material resistance

Alcohol	n/a
Concentrated acids	Fair
Ethanol	Fair
Hydrolysis	Fair
Methanol	Poor
Oil	Excellent
Oxidation	Poor
Petrol	Fair
Wear resistance	Excellent
Weather and ozone	Excellent

Dimensional drawings



Values specified in this data sheet are tested at (unless otherwise stated):

- Room temperature (20°C [68°F] ± 3°C [5.5°F]).
- Standard atmosphere (101.3 [29.9 inHg] ± 1.0 kPa [0.3 inHg]).
- Relative humidity 20-70%.
- Compressed air quality, DIN ISO 8573-1 class 4.

Accessories

- 0100548 | Fitting 75, 1/8" NPSF female, with mesh filter
- 0100551 | Fitting 75, G3/8" female, with mesh filter
- 0100552 | Fitting 75, G3/8" female, with cone valve
- 0100553 | Fitting 75, 3/8" NPSF female, with mesh filter
- 0104724 | Suction cup F75P Polyurethane 30/60
- 0106829 | Suction cup F75P Polyurethane 30/60, for thread insert
- 0107148 | Thread insert G3/8" male, with O-ring and mesh filter
- 0107320 | Suction cup F75P Polyurethane 60, for thread insert

Spare parts

- 0100555 | Fitting 75, G1/2" female, with mesh filter
- 0100729 | Cone Valve for Fitting 75
- 0111584 | Suction cup F75P Polyurethane 60