

COAX® cartridge MIDI Si32-3

Article number: 0107053



- Three-stage COAX® cartridge - MIDI - with extra high initial vacuum flow.
- Large vacuum flow in relation to energy consumption.
- Suitable for fast evacuation of large volumes when handling porous materials or if surface leakage is present.
- Efficient generator of blow-air. Recommended for low overpressures (0 - 0.05 MPa).

Technical data

Description	Unit	Value
Material	-	Al, FKM, Nitrile (NBR), PA, SS
Temperature, max.	°C	80
Temperature, min.	°C	-10
Weight, max.	g	70
Weight, min.	g	33
Feed pressure, max.	MPa	0.7

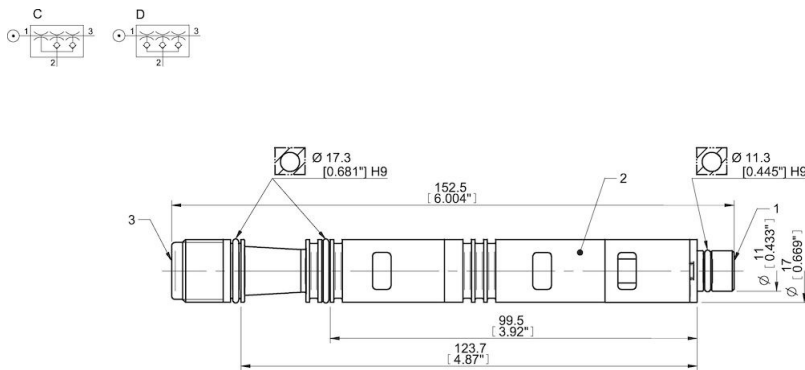
Performance

Feed pressure MPa	Air consumption NI/s	Vacuum flow (NI/s) at different vacuum levels (-kPa)												Max vacuum kPa		
		0	10	20	30	40	50	60	70	75	80	90	95		99	
0.4	1.25	5	2.9	1.9	1.2	0.8	0.4	0.1	0	0	0	0	0	0	0	≥60
0.5	1.5	5.7	3.3	2.2	1.4	0.85	0.62	0.35	0.18	0	0	0	0	0	≥70	
0.6	1.75	6	3.5	2.6	1.7	0.9	0.6	0.5	0.35	0	0	0	0	0	≥75	

Feed pressure MPa	Air consumption NI/s	Evacuation time (s/l) to reach different vacuum levels (-kPa)												Max vacuum kPa	
		10	20	30	40	50	60	70	80	90	95	99	99.5		100.3
0.4	1.25	0.03	0.07	0.14	0.24	0.42	1	0	0	0	0	0	0	0	≥60
0.5	1.5	0.02	0.06	0.11	0.21	0.35	0.6	1	0	0	0	0	0	0	≥70
0.6	1.75	0.02	0.05	0.1	0.18	0.33	0.53	0.8	0	0	0	0	0	0	≥75

Feed pressure MPa	Air consumption NI/s	Blow flow (NI/s) at different pressure levels (-kPa)												Max pressure kPa			
		0	10	20	30	40	50	60	70	80	90	100	110		120	130	140
0.6	1.75	7.8	5.4	4.6	3.8	3.3	3.1	2.7	2.3	1.8	0	0	0	0	0	0	≥75

Dimensional drawings



Values specified in this data sheet are tested at (unless otherwise stated):

- Room temperature (20°C [68°F] ± 3°C [5.5°F]).
- Standard atmosphere (101.3 [29.9 inHg] ± 1.0 kPa [0.3 inHg]).

- Compressed air quality, DIN ISO 8573-1 class 4.

Accessories

0111976 | Silencer COAX® MIDI

Spare parts

0109531 | Spare part kit Midi COAX

0124897 | Spare part kit Midi COAX Viton

0107131 | Cartridge holder Midi-3 cpl.