

# piSAVE® optimize standalone 25-70 -kPa 3/8" NPT

Article number: 0129000

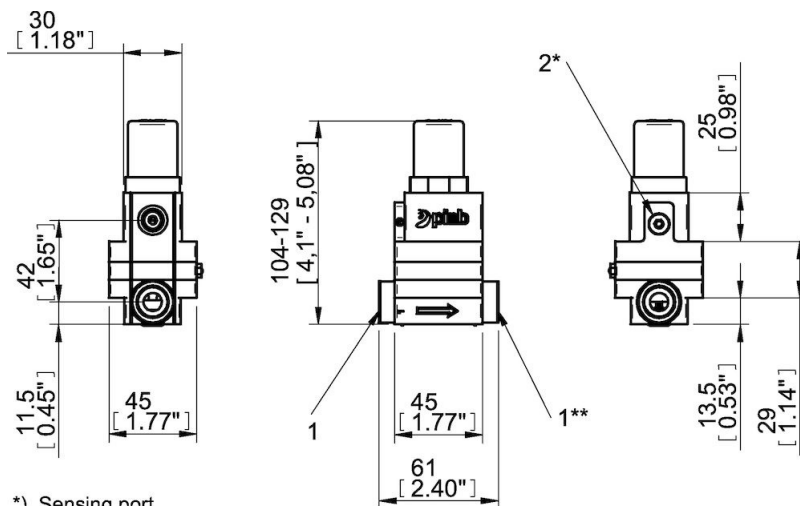


- Vacuum controlled proportional pressure regulator, a fully pneumatic device suitable for air-driven ejectors/pumps.
- The feed pressure to the vacuum pump/ejector is automatically regulated and controlled to maintain the set vacuum level. Air/energy usage is kept to a minimum for the application (optimized).
- Recommended for leaking and sealed applications to save energy and secure the right vacuum level.
- Extra port for Vacuum gauge
- Air ventilation port with filter
- Swivel compressed air connections
- piSAVE® optimize gives maximum feed pressure/flow to vacuum pump/ejector until vacuum level starts to build up .
- Separate mounting bracket kit
- Upgrade kit - available as an integrated module for piCLASSIC and Classic vacuum pumps

## Technical data

Description	Unit	Value
Material	-	Al, CuZn, HNBR, Nitrile (NBR), PA66, SS
Temperature, max.	°C	60
Temperature, min.	°C	-10
Weight, min.	g	324
Feed pressure, max.	MPa	0.7
Feed pressure, min.	MPa	0.4
Particle size, min.	µm	5
Distance to vacuum system, max.	m	3
Feed pressure, drop (@ 0,7 MPa and 15 NI/s)	MPa	0.05
Vacuum flow, range, max.	NI/s	15
Vacuum flow, range, min. (@ recommended ejector/pump feed pressure)	NI/s	1.67
Life span	cycles	5000000
Life span	years	5
Operation level, max.	-kPa	70
Operation level, min.	-kPa	25

## Dimensional drawings



## Accessories

0129003 | Mounting kit piSAVE® optimize

3101602 | Vacuum gauge 100 -kPa, with nut / -30 inHg