

# Suction cup U8 Chloroprene

Article number: 3150116

- Suitable for objects with flat or slightly curved surfaces.
- Also used for concave objects.



## Technical data

| Description             | Unit            | Value   |
|-------------------------|-----------------|---|
| Suction cup shape       | -               | Universal                                       |
| Application             | -               | Dry sheet metal, Plastic injection molded parts |
| Suction cup design      | -               | Round   |
| Characteristics         | -               | Dry sheet metal, Plastic injection molded parts |
| Material                | -               | Chloroprene (CR)                                |
| Weight, min.            | g               | 0.16  |
| Suction cup model       | -               | U   |
| Volume                  | cm <sup>3</sup> | 0.1   |
| Height                  | mm              | 7   |
| Outer diameter, min.    | mm              | 9   |
| Fitting size            | -               | None  |
| Fitting option          | -               | None  |
| Fitting style           | -               | None  |
| Fitting type            | -               | None  |
| Suction cup model       | -               | U8  |
| Movement, vertical max. | mm              | 0.5   |
| Curve radius, min.      | mm              | 6   |

## Performance - Lifting forces

| U8      | Vertical (N) | Parallel (N) |
|---------|--------------|--------------|
| 20 -kPa | 1            | 1            |
| 60 -kPa | 2.9          | 2.9          |
| 90 -kPa | 3.9          | 3.4          |

## Material

|                        |                              |
|------------------------|------------------------------|
| Name                   | Chloroprene (CR) 50° Shore A |
| Colour                 | Black                        |
| Temperature, min.   °C | -40                          |
| Temperature max.   °C  | 110                          |
| Hardness   °Shore A    | 50                           |

## Material resistance

|                    |           |
|--------------------|-----------|
| Alcohol            | Good      |
| Concentrated acids | Poor      |
| Ethanol            | n/a       |
| Hydrolysis         | Good      |
| Methanol           | n/a       |
| Oil                | Fair      |
| Oxidation          | Good      |
| Petrol             | Fair      |
| Wear resistance    | Excellent |

Material and ozone

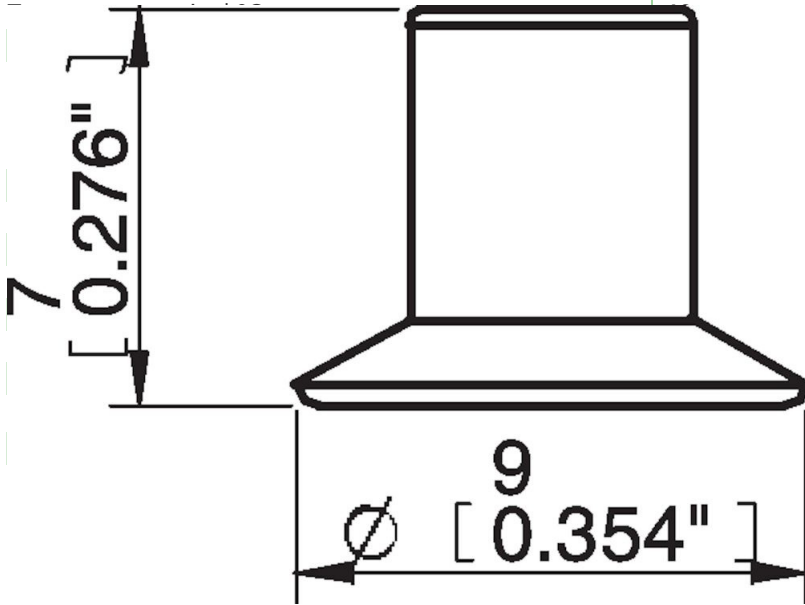
Good

Name

Chloroprene (CR) 50° Shore A

Dimensional drawings

Black



Values specified in this data sheet are tested at (unless otherwise stated):

- Room temperature ( $20^{\circ}\text{C}$  [ $68^{\circ}\text{F}$ ]  $\pm 3^{\circ}\text{C}$  [ $5.5^{\circ}\text{F}$ ]).
- Standard atmosphere ( $101.3$  [ $29.9$  inHg]  $\pm 1.0$  kPa [ $0.3$  inHg]).
- Relative humidity 20-70%.
- Compressed air quality, DIN ISO 8573-1 class 4.

**Accessories**

3107031 | Fitting M5 male, 5-8