

Suction cup D50 Chloroprene, G3/8" male, with mesh filter

Article number: 0101724



- Suitable for objects with curved or irregular surfaces.
- Grips around corners and edges.

Technical data

Description	Unit	Value
Suction cup shape	-	Deep
Application	-	Dry sheet metal, Plastic injection molded parts
Suction cup design	-	Round
Characteristics	-	Dry sheet metal, Plastic injection molded parts
Material	-	Chloroprene (CR)
Weight, min.	g	18
Suction cup model	-	D
Volume	cm ³	15
Height	mm	47.5
Outer diameter, min.	mm	53
Fitting size	-	3/8"
Fitting option	-	Filter mesh
Fitting style	-	Male
Fitting type	-	G-thread
Suction cup model	-	D50
Movement, vertical max.	mm	8
Curve radius, min.	mm	25

Performance - Lifting forces

D50	Vertical (N)	Parallel (N)
20 -kPa	36	29.9
60 -kPa	78	42.6
90 -kPa	98	47.4

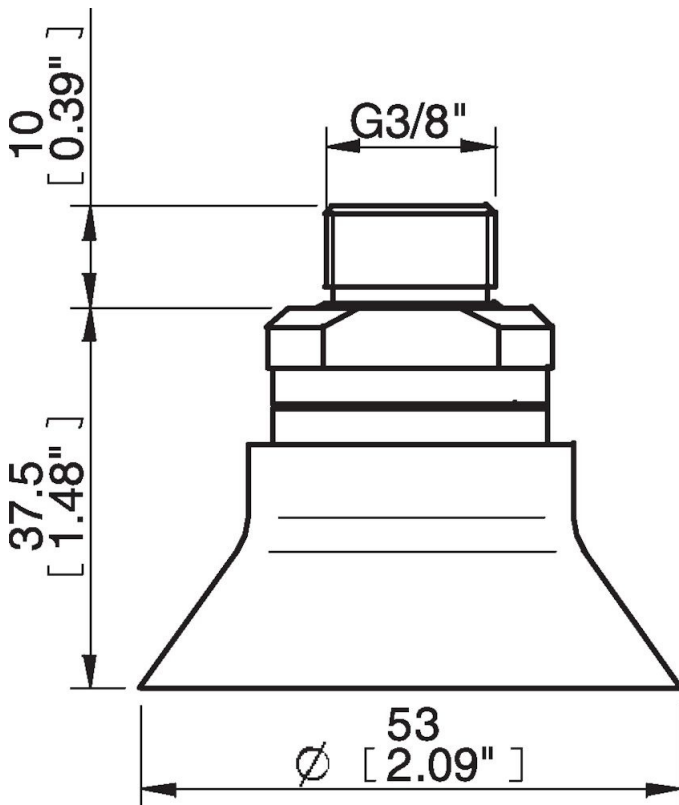
Material

Name	Chloroprene (CR) 50° Shore A
Colour	Black
Temperature, min. °C	-40
Temperature max. °C	110
Hardness °Shore A	50

Material resistance

Alcohol	Good
Concentrated acids	Poor
Ethanol	n/a
Hydrolysis	Good
Methanol	n/a
Oil	Fair
Oxidation	Good
Petrol	Fair
Wear resistance	Excellent
Weather and ozone	Good

Dimensional drawings



Values specified in this data sheet are tested at (unless otherwise stated):

- Room temperature (20°C [68°F] ± 3°C [5.5°F]).
- Standard atmosphere (101.3 [29.9 inHg] ± 1.0 kPa [0.3 inHg]).
- Relative humidity 20-70%.
- Compressed air quality, DIN ISO 8573-1 class 4.

Accessories

0100262 | Fitting 5x1/8" NPSF female, 50
0101128 | Suction cup D50 Silicone
0101154 | Fitting 1/8" NPSF female, 50, with mesh filter
0200715 | Fitting G1/8" male, 50, with mesh filter
3150198 | Fitting 1/8" NPSF female, 50, PA
3250017 | Fitting 1/8" NPSF female, 50
3250090 | Fitting 3/8" NPT male, with mesh filter
3250092 | Fitting G1/4" male, 50, with mesh filter
3250094 | Fitting 1/4" NPT male, with mesh filter
3251012 | Fitting 1/8" NPSF female, 50, with dual flow control valve
3251013 | Fitting G1/4" male, with mesh filter and dual flow control valve
3251014 | Fitting 1/4" NPT male, with dual flow control valve
3251015 | Fitting G3/8" male, 50, with mesh filter and dual flow control valve
3251016 | Fitting 3/8" NPT male, with dual flow control valve
3251017 | Fitting 5x1/8" NPSF female, 50, with dual flow control valve

Spare parts

0101127 | Suction cup D50 Chloroprene
3250087 | Fitting G3/8" male, 50, with mesh filter