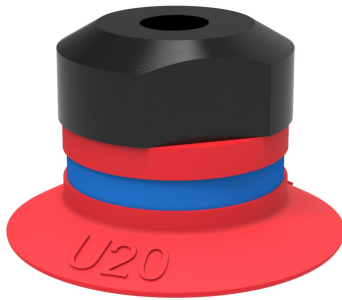


Suction cup U20 Silicone, M5 female, with dual flow control valve

Article number: 0101390

- Suitable for objects with flat or slightly curved surfaces.
- Also used for concave objects.



Technical data

| Description | Unit | Value |
|-------------------------|-----------------|-------------------------|
| Suction cup shape | - | Universal |
| Application | - | Glass handling |
| Suction cup design | - | Round |
| Characteristics | - | Glass handling |
| Material | - | Silicone (SIL) |
| Weight, min. | g | 1.2 |
| Suction cup model | - | U |
| Volume | cm ³ | 1 |
| Leakage flow, max. | l/s | 0.06 |
| Height | mm | 14 |
| Outer diameter, min. | mm | 22 |
| Fitting size | - | None |
| Fitting option | - | Dual flow control valve |
| Fitting style | - | Female |
| Fitting type | - | M-thread |
| Valve restriction | mm | 0.7 |
| Restricted vacuum flow | l/s | 0.7 |
| Suction cup model | - | U20 |
| Movement, vertical max. | mm | 2.5 |
| Curve radius, min. | mm | 13 |

Performance - Lifting forces

| U20 | Vertical (N) | Parallel (N) |
|---------|--------------|--------------|
| 20 -kPa | 5.9 | 5.9 |
| 60 -kPa | 12 | 8.8 |
| 90 -kPa | 16 | 9.8 |

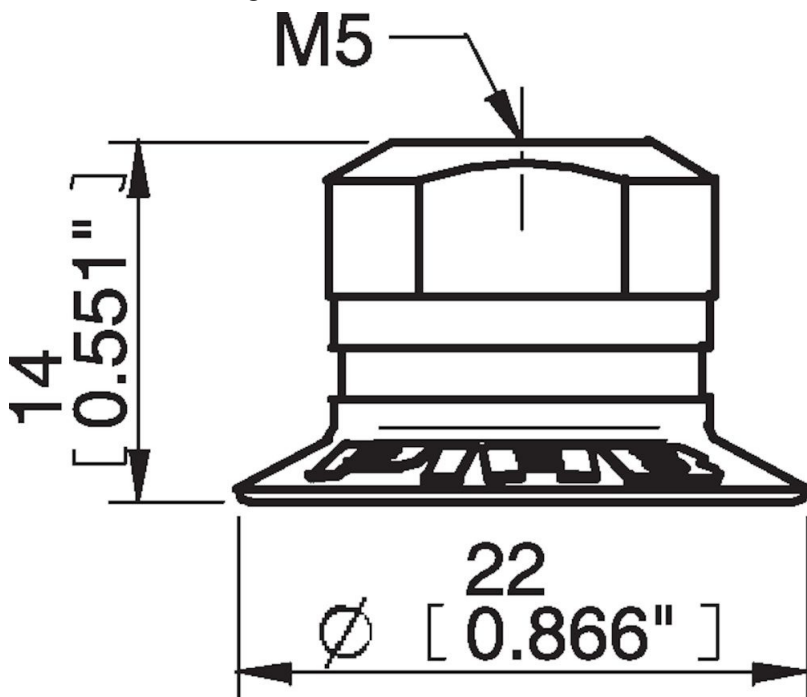
Material

| | |
|------------------------|---------------------------|
| Name | Silicone, SIL 50° Shore A |
| Colour | Red |
| Temperature, min. °C | -40 |
| Temperature max. °C | 200 |
| Hardness °Shore A | 50 |

Material resistance

| | |
|--------------------|-----------|
| Alcohol | Good |
| Concentrated acids | Poor |
| Ethanol | n/a |
| Hydrolysis | Fair |
| Methanol | n/a |
| Oil | Poor |
| Oxidation | Excellent |
| Petrol | Poor |
| Wear resistance | Good |
| Weather and ozone | Excellent |

Dimensional drawings



Values specified in this data sheet are tested at (unless otherwise stated):

- Room temperature (20°C [68°F] ± 3°C [5.5°F]).
- Standard atmosphere (101.3 [29.9 inHg] ± 1.0 kPa [0.3 inHg]).
- Relative humidity 20-70%.
- Compressed air quality, DIN ISO 8573-1 class 4.

Accessories

- 0100260 | Fitting 5xM5 female
- 0101144 | Suction cup U20 Chloroprene
- 0101152 | Fitting G1/8" male/M5 female, with mesh filter
- 0128711 | Suction cup U20 HNBR
- 3150196 | Fitting G1/8" male/M5 female, PA
- 3250003 | Fitting M5 female
- 3250004 | Fitting G1/8" male/M5 female
- 3250085 | Fitting G1/8" male, with mesh filter
- 3250088 | Fitting 1/8" NPT male, with mesh filter
- 3251003 | Fitting 1/8" NPT male, with dual flow control valve
- 3251004 | Fitting G1/8" male/M5 female, with dual flow control valve
- 3251005 | Fitting 5xM5 female, with dual flow control valve

Spare parts

- 0101145 | Suction cup U20 Silicone
- 3251001 | Fitting M5 female, with dual flow control valve