

COAX® cartridge MIDI Xi40-3

Article number: 0118724



- Three-stage COAX® cartridge – MIDI – with high initial vacuum flow
- Deep end vacuum level, 95 -kPa
- High vacuum flow at deep vacuum levels, 75 to 95 -kPa
- Quick response time when deep vacuum is needed
- The all-round characteristics makes it suitable for several types of vacuum applications

Technical data

| Description | Unit | Value |
|---------------------|------|-----------------------|
| Material | - | Nitrile (NBR), PA, SS |
| Temperature, max. | °C | 80 |
| Temperature, min. | °C | -10 |
| Weight, max. | g | 63.2 |
| Weight, min. | g | 28.7 |
| Feed pressure, max. | MPa | 0.7 |

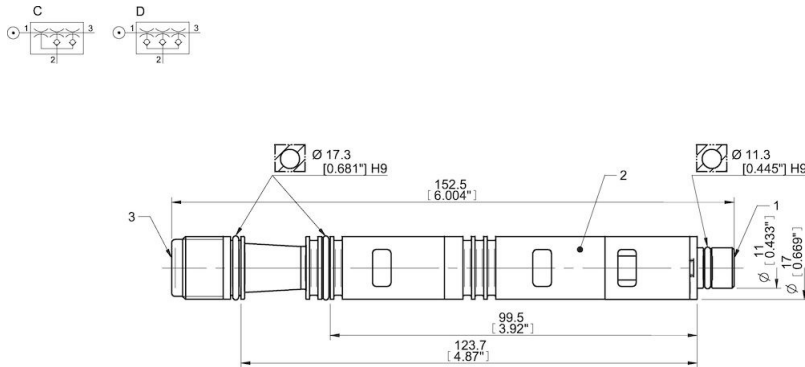
Performance

| Feed pressure MPa | Air consumption NI/s | Vacuum flow (NI/s) at different vacuum levels (-kPa) | | | | | | | | | | | | | Max vacuum kPa |
|----------------------|-------------------------|--|-----|-----|-----|------|------|------|------|----|------|------|----|----|-------------------|
| | | 0 | 10 | 20 | 30 | 40 | 50 | 60 | 70 | 75 | 80 | 90 | 95 | 99 | |
| 0.45 | 1.83 | 5.9 | 3 | 2 | 1.3 | 0.73 | 0.58 | 0.43 | 0.32 | 0 | 0.18 | 0.03 | 0 | 0 | ≥95 |
| 0.5 | 2 | 6.2 | 3.7 | 2.2 | 1.8 | 1.3 | 0.81 | 0.4 | 0.3 | 0 | 0.14 | 0.02 | 0 | 0 | ≥94 |
| 0.6 | 2.33 | 5.9 | 3.2 | 2.2 | 1.6 | 0.9 | 0.52 | 0.4 | 0.31 | 0 | 0.16 | 0.03 | 0 | 0 | ≥94 |

| Feed pressure MPa | Air consumption NI/s | Evacuation time (s/l) to reach different vacuum levels (-kPa) | | | | | | | | | | | | | Max vacuum kPa |
|----------------------|-------------------------|---|-------|------|------|------|------|------|-----|-----|----|----|------|-------|-------------------|
| | | 10 | 20 | 30 | 40 | 50 | 60 | 70 | 80 | 90 | 95 | 99 | 99.5 | 100.3 | |
| 0.45 | 1.83 | 0.022 | 0.062 | 0.12 | 0.22 | 0.37 | 0.57 | 0.84 | 1.2 | 2.2 | 0 | 0 | 0 | 0 | ≥95 |
| 0.5 | 2 | 0.02 | 0.05 | 0.1 | 0.2 | 0.3 | 0.4 | 0.7 | 1.2 | 2.4 | 0 | 0 | 0 | 0 | ≥94 |
| 0.6 | 2.33 | 0.02 | 0.054 | 0.1 | 0.17 | 0.26 | 0.43 | 0.71 | 1.2 | 2.4 | 0 | 0 | 0 | 0 | ≥94 |

| Feed pressure MPa | Air consumption NI/s | Blow flow (NI/s) at different pressure levels (-kPa) | | | | | | | | | | | | | Max pressure kPa | | |
|----------------------|-------------------------|--|------|------|------|------|------|------|------|------|------|-----|-----|-----|---------------------|-----|-----|
| | | 0 | 10 | 20 | 30 | 40 | 50 | 60 | 70 | 80 | 90 | 100 | 110 | 120 | | 130 | 140 |
| 0.6 | 2.33 | 8.43 | 6.18 | 5.09 | 4.62 | 3.92 | 3.53 | 3.39 | 3.23 | 2.95 | 2.58 | 0 | 0 | 0 | 0 | 0 | ≥94 |

Dimensional drawings



Values specified in this data sheet are tested at (unless otherwise stated):

- Room temperature (20°C [68°F] ± 3°C [5.5°F]).
- Standard atmosphere (101.3 [29.9 inHg] ± 1.0 kPa [0.3 inHg]).

- Compressed air quality, DIN ISO 8573-1 class 4.

Accessories

0111976 | Silencer COAX® MIDI

Spare parts

0109531 | Spare part kit Midi COAX

0124897 | Spare part kit Midi COAX Viton

0107131 | Cartridge holder Midi-3 cpl.