

Suction cup OCF20×50 Polyurethane 60, G3/8" female plastic

Article number: 0207618



- Special designed friction cups for oily surfaces, such as sheets in metal forming processes.
- Normal wear on friction cup will not affect the long term shear force performance.
- Best choice if > 0,1g/m2 press oil is used on the sheet.
- Thanks to the strong grip on oily surfaces, the suction cups can withstand high shear forces, typically 2–4 times more than corresponding conventional suction cups.
- The "OCF" design is suitable for oblong objects with slightly curved or flat surfaces.
- DURAFLEX® suction cups manufactured in a specially developed material that features the elasticity of rubber and wear resistance of polyurethane. The material does not leave any marks on the objects handled.

Technical data

Description	Unit	Value
Suction cup shape	-	Concave
Application	-	Oily sheet metal
Suction cup design	-	Oval
Characteristics	-	Oily sheet metal
Material	-	Polyurethane (PU)
Weight, min.	g	14
Suction cup model	-	OCF-P
Volume	cm ³	3.8
Height	mm	30.1
Length	mm	53.9
Fitting size	-	3/8"
Fitting option	-	None
Fitting style	-	Female
Fitting type	-	G-thread
Width	mm	23.9
Length, actuated	mm	56
Width, actuated	mm	26.5
Material	-	PA66
Suction cup model	-	OCF20x50P Oily metal sheet
Movement, vertical max.	mm	3
Curve radius, min.	mm	20
Suction cup model	-	OCF20x50P Dry metal sheet
Movement, vertical max.	mm	3
Curve radius, min.	mm	20

Performance - Lifting forces

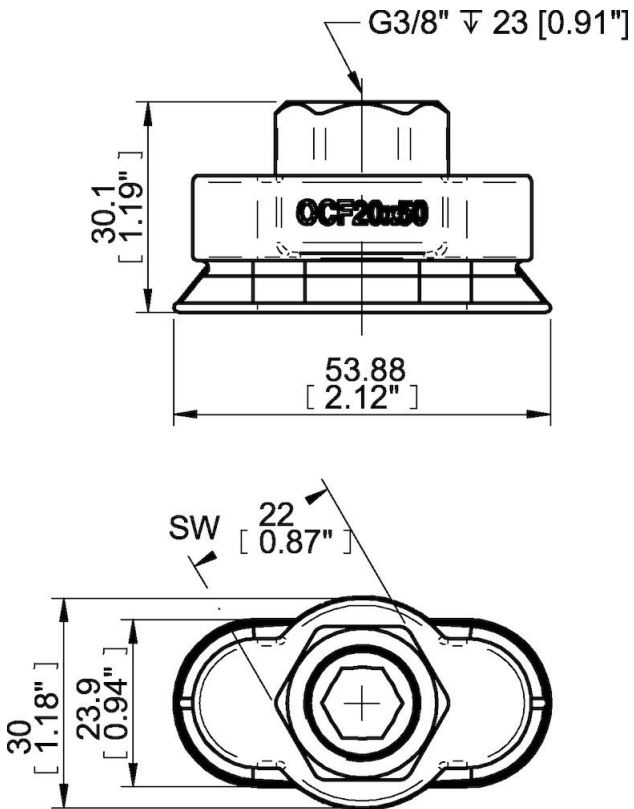
	Vertical (N)	Parallel (N)
OCF20x50P Oily metal sheet		
60 -kPa	45	28
90 -kPa	65	35
OCF20x50P Dry metal sheet		
60 -kPa	51	57
90 -kPa	72	72

Material

Name	Polyurethane (PU60)
Colour	Orange
Temperature, min. °C	10
Temperature max. °C	50
Hardness °Shore A	60

Material resistance

Alcohol	n/a
Concentrated acids	Fair
Ethanol	Fair
Hydrolysis	Fair
Methanol	Poor
Oil	Excellent
Oxidation	Poor
Petrol	Fair
Wear resistance	Excellent
Weather and ozone	Excellent

Dimensional drawings

Values specified in this data sheet are tested at (unless otherwise stated):

- Room temperature (20°C [68°F] ± 3°C [5.5°F]).
- Standard atmosphere (101.3 [29.9 inHg] ± 1.0 kPa [0.3 inHg]).
- Relative humidity 20-70%.
- Compressed air quality, DIN ISO 8573-1 class 4.