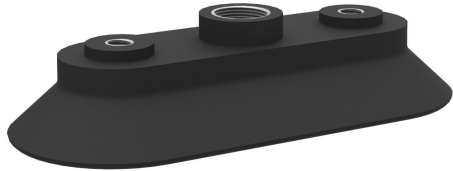


Suction cup OC60x140 Nitrile, 3/8" NPT female

Article number: 3350011B

- Suitable for handling oblong objects with flat or curved surface.
- Good stability and little inherent movement.
- Thick, durable lip.



Technical data

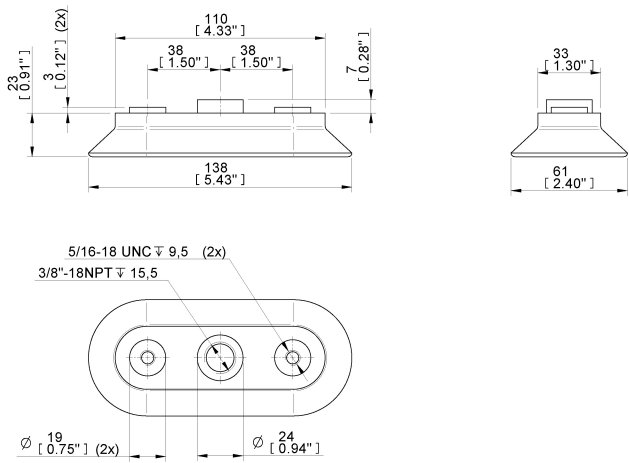
Description	Unit	Value
Suction cup shape	-	Concave
Application	-	Dry sheet metal
Suction cup design	-	Oval
Characteristics	-	Dry sheet metal
Material	-	Nitrile (NBR)
Weight, min.	g	160
Suction cup model	-	OC
Volume	cm ³	52
Height	mm	30
Length	mm	138
Outer diameter, min.	mm	138
Fitting size	-	3/8"
Fitting option	-	None
Fitting style	-	Female
Fitting type	-	NPT-thread
Width	mm	61
Material	-	Al
Suction cup model	-	OC60x140
Movement, vertical max.	mm	7.5
Curve radius, min.	mm	200

Performance - Lifting forces

OC60x140	Vertical (N)	Parallel (N)
20 -kPa	132	186
60 -kPa	373	373
90 -kPa	520	510

Material	
Name	Nitrile (NBR)
Colour	Black
Temperature, min. °C	-20
Temperature max. °C	100
Hardness °Shore A	50
Material resistance	
Alcohol	Good
Concentrated acids	Fair
Ethanol	n/a
Hydrolysis	Good
Methanol	n/a
Oil	Excellent
Oxidation	Good
Petrol	Good
Wear resistance	Excellent
Weather and ozone	Fair

Dimensional drawings



Values specified in this data sheet are tested at (unless otherwise stated):

- Room temperature (20°C [68°F] \pm 3°C [5.5°F]).
- Standard atmosphere (101.3 [29.9 inHg] \pm 1.0 kPa [0.3 inHg]).
- Relative humidity 20-70%.
- Compressed air quality, DIN ISO 8573-1 class 4.