

# Suction cup BL40-4 Silicone FCM, 3/8" NPT male

Article number: 9909648



- The silicone material complies with FDA 21 CFR 177.2600 & EU 1935/2004
- Long and flexible bellow
- Long and thin lip
- High flow fitting
- Working area = lip diameter
- Wide temperature range (-40°C to +200°C)

## Technical data

Description	Unit	Value
Suction cup shape	-	Multibellows
Application	-	Bag handling, Food contact materials (FDA & EU), non-detectable
Suction cup design	-	Round
Characteristics	-	Bag handling, Food contact materials (FDA & EU), non-detectable
Material	-	Silicone (SIL)
Weight, min.	g	8
Suction cup model	-	BL-4
Volume	cm <sup>3</sup>	15
Height	mm	57.4
Outer diameter, min.	mm	40.1
Fitting size	-	3/8"
Fitting option	-	None
Fitting style	-	Male
Fitting type	-	NPT-thread
Suction cup model	-	BL40-4
Movement, vertical max.	mm	18
Curve radius, min.	mm	15

## Performance - Lifting forces

BL40-4	Vertical (N)	Parallel (N)
20 -kPa	10	4.7
60 -kPa	15	13.3
90 -kPa	22	19.7

## Material

Name	Silicone FDA 40° Shore A
Colour	Transparent
Temperature, min.   °C	-40
Temperature max.   °C	200
Hardness   °Shore A	40

## Material resistance

Alcohol	Good
Concentrated acids	Poor
Ethanol	n/a
Hydrolysis	Fair
Methanol	n/a
Oil	Poor
Oxidation	Excellent
Petrol	Poor
Wear resistance	Good

Water and ozone

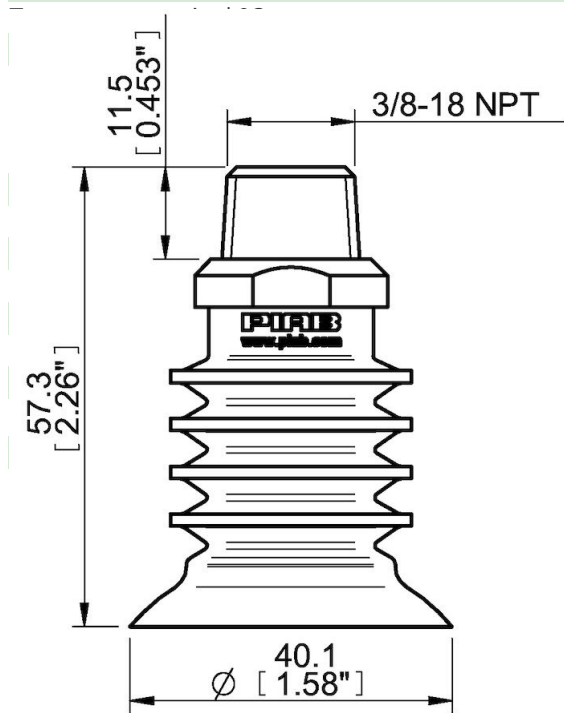
Excellent

Name

Silicone FDA 40° Shore A

Dimensional drawings

Transparent



-40

200

40

Good

Poor

n/a

Fair

n/a

Poor

Excellent

Poor

Good

Excellent

Values specified in this data sheet are tested at (unless otherwise stated):

- Room temperature (20°C [68°F] ± 3°C [5.5°F]).
- Standard atmosphere (101.3 [29.9 inHg] ± 1.0 kPa [0.3 inHg]).
- Relative humidity 20-70%.
- Compressed air quality, DIN ISO 8573-1 class 4.

Accessories

0112662 | Fitting G3/8" male, bag

Spare parts

0112692 | Fitting 3/8" NPT male, bag

0200337 | Suction cup BL40-4 Silicone FCM