

Suction cup BX20P Polyurethane 60, G1/8" male

Article number: 0125112



- Suitable for level adjustment and for uneven and porous surfaces such as cardboard, etc.
- In the two-coloured suction cup the bellows and the sealing lip are of different hardnesses, which makes the suction cup strong and stable and, at the same time, soft and flexible.
- DURAFLEX® suction cups manufactured in a specially developed material that features the elasticity of rubber and wear resistance of polyurethane.
- The material DURAFLEX® is mark free.

Technical data

Description	Unit	Value
Suction cup shape	-	Multibellows
Application	-	Dry sheet metal, Corrugated / cardboard, Mark Free, Plastic injection molded parts
Suction cup design	-	Round
Characteristics	-	Dry sheet metal, Corrugated / cardboard, Mark free, Plastic injection molded parts
Material	-	Polyurethane (PU)
Weight, min.	g	1.43
Suction cup model	-	BX-P
Volume	cm ³	1.16
Height	mm	27.2
Outer diameter, min.	mm	21
Fitting size	-	1/8"
Fitting option	-	Filter mesh
Fitting style	-	Male
Fitting type	-	G-thread
Suction cup model	-	BX20P PU60
Movement, vertical max.	mm	7.5
Curve radius, min.	mm	8.5

Performance - Lifting forces

BX20P PU60	Vertical (N)	Parallel (N)
20 -kPa	4.8	1.93
60 -kPa	7	5.18
90 -kPa	11	6.13

Material

Name	Polyurethane (PU60)
Colour	Green transparent
Temperature, min. °C	10
Temperature max. °C	50
Hardness °Shore A	60

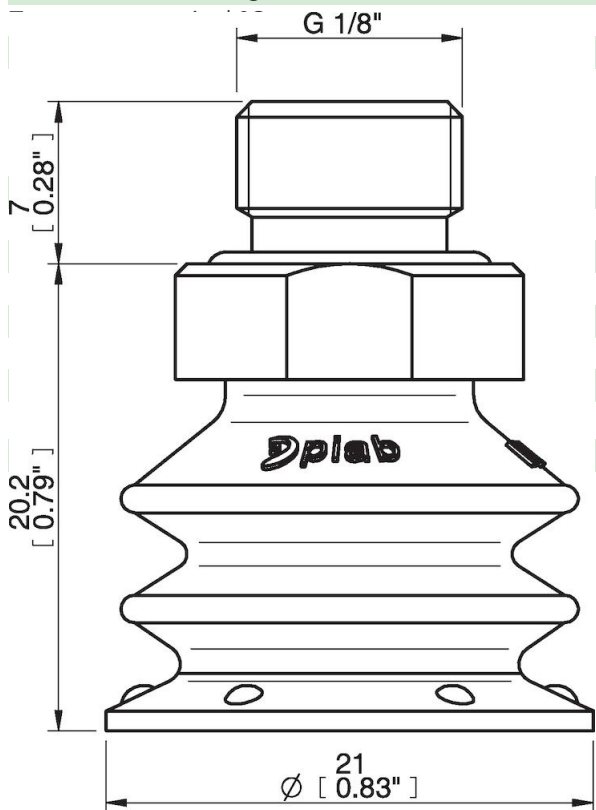
Material resistance

Alcohol	n/a
Concentrated acids	Fair
Ethanol	Fair
Hydrolysis	Fair
Methanol	Poor
Oil	Excellent
Oxidation	Poor
Petrol	Fair
Wear resistance	Excellent

Water and ozone

Name Polyurethane (PU60)

Dimensional drawings Green transparent



10	Excellent
50	Excellent
60	Excellent
	n/a
	Fair
	Fair
	Fair
	Poor
	Excellent
	Poor
	Fair
	Excellent
	Excellent

Values specified in this data sheet are tested at (unless otherwise stated):

- Room temperature (20°C [68°F] ± 3°C [5.5°F]).
- Standard atmosphere (101.3 [29.9 inHg] ± 1.0 kPa [0.3 inHg]).
- Relative humidity 20-70%.
- Compressed air quality, DIN ISO 8573-1 class 4.

Accessories

- 0100260 | Fitting 5xM5 female
- 0101152 | Fitting G1/8" male/M5 female, with mesh filter
- 0118507 | Suction cup BX20P Polyurethane 30/60
- 3250003 | Fitting M5 female
- 3250088 | Fitting 1/8" NPT male, with mesh filter
- 3251004 | Fitting G1/8" male/M5 female, with dual flow control valve

Spare parts

- 0124249 | Suction cup BX20P Polyurethane 60
- 3250085 | Fitting G1/8" male, with mesh filter