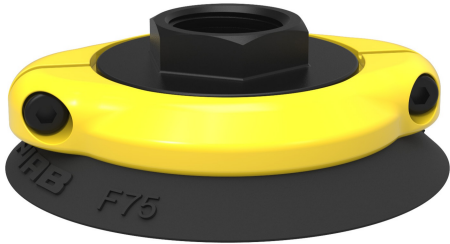


# Suction cup F75 Nitrile-PVC, G1/2" female, with cone valve

Article number: 0101879



- Suitable for flat objects.
- Good stability and little inherent movement.
- Recommended when the lifting force is parallel to the surface of the object.
- Cleats prevent thin, sensitive objects from being deformed and gives extra friction when the lifting force is parallel.

## Technical data

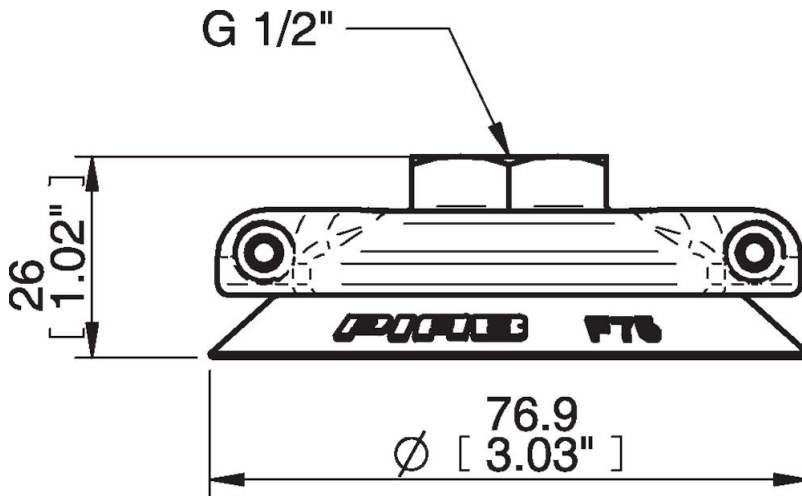
Description	Unit	Value
Suction cup shape	-	Flat
Application	-	Dry sheet metal
Suction cup design	-	Round
Characteristics	-	Dry sheet metal
Material	-	Nitrile-PVC (NPV)
Weight, min.	g	23
Suction cup model	-	F
Volume	cm <sup>3</sup>	20
Outer diameter, min.	mm	77
Outer diameter, actuated	mm	79
Fitting size	-	1/2"
Fitting option	-	Cone valve
Fitting style	-	Female
Fitting type	-	G-thread
Suction cup model	-	F75
Movement, vertical max.	mm	3
Curve radius, min.	mm	150

## Performance - Lifting forces

F75	Vertical (N)	Parallel (N)
20 -kPa	80	60
60 -kPa	200	110
90 -kPa	270	140

<b>Material</b>	
Name	Nitrile-PVC (NPV)
Colour	Black
Temperature, min.   °C	0
Temperature max.   °C	90
Hardness   °Shore A	50
<b>Material resistance</b>	
Alcohol	Good
Concentrated acids	Fair
Ethanol	n/a
Hydrolysis	Good
Methanol	n/a
Oil	Excellent
Oxidation	Good
Petrol	Excellent
Wear resistance	Excellent
Weather and ozone	Good

#### Dimensional drawings



Values specified in this data sheet are tested at (unless otherwise stated):

- Room temperature (20°C [68°F] ± 3°C [5.5°F]).
- Standard atmosphere (101.3 [29.9 inHg] ± 1.0 kPa [0.3 inHg]).
- Relative humidity 20-70%.
- Compressed air quality, DIN ISO 8573-1 class 4.

#### Accessories

- 0100548 | Fitting 75, 1/8" NPSF female, with mesh filter
- 0100551 | Fitting 75, G3/8" female, with mesh filter
- 0100552 | Fitting 75, G3/8" female, with cone valve
- 0100553 | Fitting 75, 3/8" NPSF female, with mesh filter
- 0100555 | Fitting 75, G1/2" female, with mesh filter
- 0127819 | Fitting 1/8" NPSF female Al, with mesh filter
- 0127820 | Fitting G1/2" female Al, with mesh filter
- 0127821 | Fitting 1/4" NPT female Al, with mesh filter & 10-32 addl. conn.
- 3150131S | Suction cup F75 Silicone
- 3150131T | Suction cup F75 HNBR

#### Spare parts

- 0100556 | Fitting 75, G1/2" female, with cone valve
- 3150131P | Suction cup F75 Nitrile-PVC