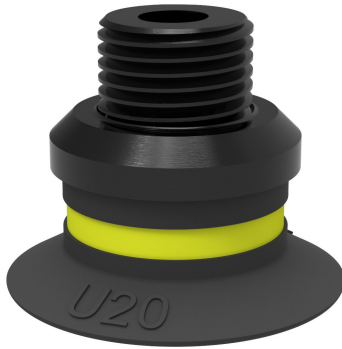


# Suction cup U20 Chloroprene, G1/8" male/M5 female, PA

Article number: 0110956

- Suitable for objects with flat or slightly curved surfaces.
- Also used for concave objects.



## Technical data

| Description             | Unit            | Value              |
|-------------------------|-----------------|--------------------|
| Suction cup shape       | -               | Universal          |
| Application             | -               | Dry sheet metal    |
| Suction cup design      | -               | Round              |
| Characteristics         | -               | Dry sheet metal    |
| Material                | -               | Chloroprene (CR)   |
| Weight, min.            | g               | 1.2                |
| Suction cup model       | -               | U                  |
| Volume                  | cm <sup>3</sup> | 1                  |
| Height                  | mm              | 17.5               |
| Outer diameter, min.    | mm              | 22                 |
| Fitting size            | -               | 1/8", M5           |
| Fitting option          | -               | None               |
| Fitting style           | -               | Female/Male        |
| Fitting type            | -               | G-thread, M-thread |
| Suction cup model       | -               | U20                |
| Movement, vertical max. | mm              | 2.5                |
| Curve radius, min.      | mm              | 13                 |

## Performance - Lifting forces

| U20     | Vertical (N) | Parallel (N) |
|---------|--------------|--------------|
| 20 -kPa | 5.9          | 5.9          |
| 60 -kPa | 12           | 8.8          |
| 90 -kPa | 16           | 9.8          |

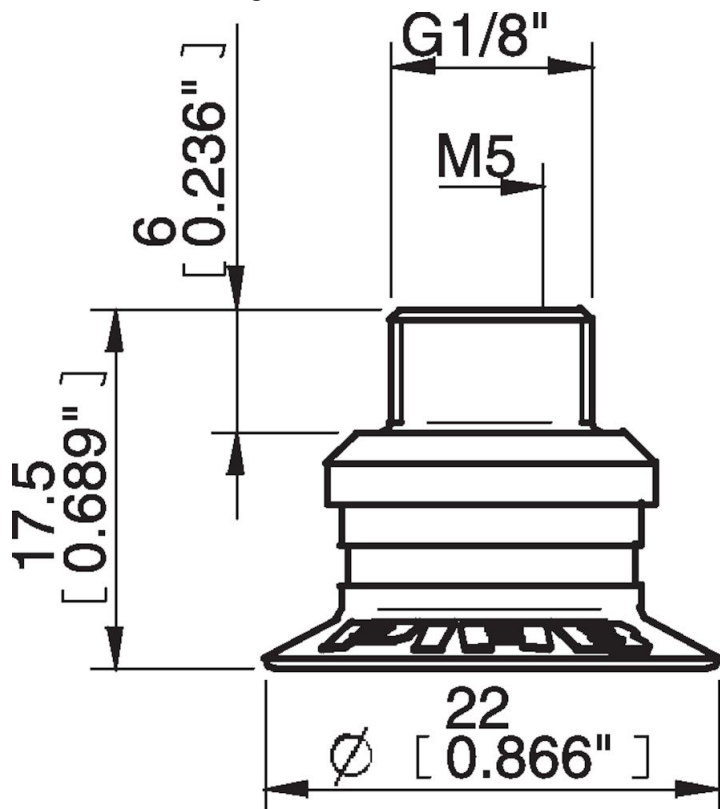
## Material

|                        |                              |
|------------------------|------------------------------|
| Name                   | Chloroprene (CR) 50° Shore A |
| Colour                 | Black                        |
| Temperature, min.   °C | -40                          |
| Temperature max.   °C  | 110                          |
| Hardness   °Shore A    | 50                           |

## Material resistance

|                    |           |
|--------------------|-----------|
| Alcohol            | Good      |
| Concentrated acids | Poor      |
| Ethanol            | n/a       |
| Hydrolysis         | Good      |
| Methanol           | n/a       |
| Oil                | Fair      |
| Oxidation          | Good      |
| Petrol             | Fair      |
| Wear resistance    | Excellent |
| Weather and ozone  | Good      |

## Dimensional drawings



## Values specified in this data sheet are tested at (unless otherwise stated):

- Room temperature (20°C [68°F] ± 3°C [5.5°F]).
- Standard atmosphere (101.3 [29.9 inHg] ± 1.0 kPa [0.3 inHg]).
- Relative humidity 20-70%.
- Compressed air quality, DIN ISO 8573-1 class 4.

## Accessories

- 0100260 | Fitting 5xM5 female
- 0101145 | Suction cup U20 Silicone
- 0101152 | Fitting G1/8" male/M5 female, with mesh filter
- 0128711 | Suction cup U20 HNBR
- 3250003 | Fitting M5 female
- 3250004 | Fitting G1/8" male/M5 female
- 3250085 | Fitting G1/8" male, with mesh filter
- 3250088 | Fitting 1/8" NPT male, with mesh filter
- 3251001 | Fitting M5 female, with dual flow control valve
- 3251003 | Fitting 1/8" NPT male, with dual flow control valve
- 3251004 | Fitting G1/8" male/M5 female, with dual flow control valve
- 3251005 | Fitting 5xM5 female, with dual flow control valve

## Spare parts

0101144 | Suction cup U20 Chloroprene

3150196 | Fitting G1/8" male/M5 female, PA