

Suction cup B40 Silicone, 5x1/8" NPSF female

Article number: 0101474



- Suitable for level adjustment. Several short bellows in one lifting device can handle objects with height differences and varying shapes, for example embossed or corrugated plates.
- The lifting movement can be used to separate small and thin objects.
- Only lightweight objects should be handled when the lifting force is parallel to the surface of the object, in order to achieve good precision and safe lifting movement.

Technical data

Description	Unit	Value
Suction cup shape	-	Bellows
Application	-	Dry sheet metal, Plastic injection molded parts
Suction cup design	-	Round
Characteristics	-	Dry sheet metal, Plastic injection molded parts
Material	-	Silicone (SIL)
Weight, min.	g	10
Suction cup model	-	B
Volume	cm ³	15
Height	mm	46
Outer diameter, min.	mm	45.7
Outer diameter, actuated	mm	49.5
Fitting size	-	5x1/8"
Fitting option	-	None
Fitting style	-	Female
Fitting type	-	NPSF-thread
Suction cup model	-	B40
Movement, vertical max.	mm	13.5
Curve radius, min.	mm	20

Performance - Lifting forces

B40	Vertical (N)	Parallel (N)
20 -kPa	22	17.1
60 -kPa	39	26.3
90 -kPa	49	30.5

Material

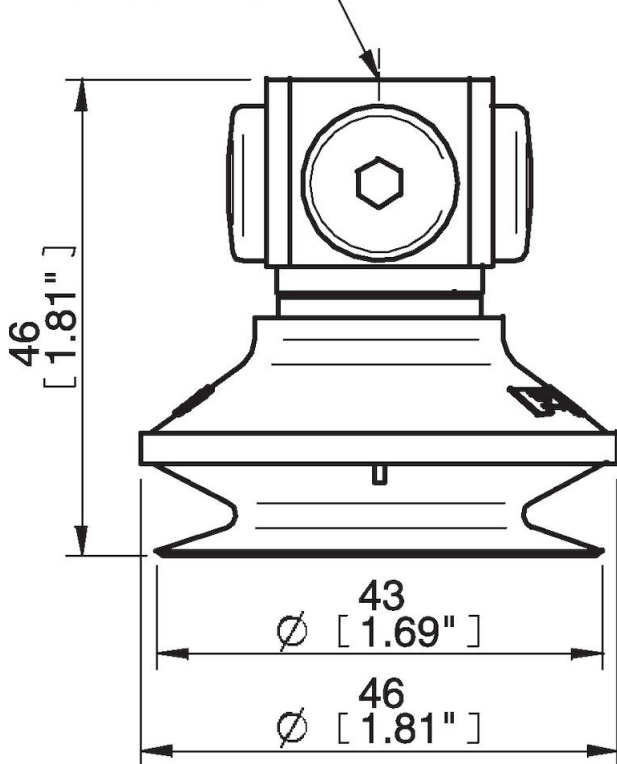
Name	Silicone, SIL 50° Shore A
Colour	Red
Temperature, min. °C	-40
Temperature max. °C	200
Hardness °Shore A	50

Material resistance

Alcohol	Good
Concentrated acids	Poor
Ethanol	n/a
Hydrolysis	Fair
Methanol	n/a
Oil	Poor
Oxidation	Excellent
Petrol	Poor
Wear resistance	Good
Weather and ozone	Excellent

Dimensional drawings

5x1/8"NPSF



Values specified in this data sheet are tested at (unless otherwise stated):

- Room temperature (20°C [68°F] ± 3°C [5.5°F]).
- Standard atmosphere (101.3 [29.9 inHg] ± 1.0 kPa [0.3 inHg]).
- Relative humidity 20-70%.
- Compressed air quality, DIN ISO 8573-1 class 4.

Accessories

0101105 | Suction cup B40 Chloroprene
0101153 | Fitting 1/8" NPSF female, 30–40, with mesh filter
0108081 | Suction cup B40 HNBR
0200714 | Fitting G1/8" male, 40, with mesh filter
3150197 | Fitting 1/8" NPSF female, 30–40, PA
3250005 | Fitting 1/8" NPSF female, 30–40
3250086 | Fitting G3/8" male, 30–40, with mesh filter
3250089 | Fitting 3/8" NPT male, with mesh filter
3250091 | Fitting G1/4" male, 30–40, with mesh filter
3250093 | Fitting 1/4" NPT male, with mesh filter
3251006 | Fitting 1/8" NPSF female, 30–40, with dual flow control valve
3251007 | Fitting G1/4" male, 30–40, with mesh filter and dual flow control valve
3251008 | Fitting 1/4" NPT male, with dual flow control valve
3251009 | Fitting G3/8" male, 30–40, with mesh and dual flow control valve
3251010 | Fitting 3/8" NPT male, with dual flow control valve
3251011 | Fitting 5x1/8" NPSF female, 30–40, with dual flow control valve

Spare parts

0100261 | Fitting 5x1/8" NPSF female, 30–40
0101106 | Suction cup B40 Silicone