

Suction cup BL20-2 HNBR, G1/8" male, with mesh filter and dual flow control valve

Article number: 9914279



- Suitable for level adjustment.
- Lifting movement to separate small and thin objects.
- Less suitable when the lifting force is parallel to the surface of the object.

Technical data

| Description | Unit | Value |
|-------------------------|-----------------|--------------------------------------|
| Suction cup shape | - | Multibellows |
| Application | - | Bag handling, Mark Free |
| Suction cup design | - | Round |
| Characteristics | - | Bag handling, Mark free |
| Material | - | HNBR |
| Weight, min. | g | 3 |
| Suction cup model | - | BL-2 |
| Volume | cm ³ | 4 |
| Leakage flow, max. | l/s | 0.06 |
| Height | mm | 34.9 |
| Outer diameter, min. | mm | 20 |
| Fitting size | - | 1/8" |
| Fitting option | - | Dual flow control valve, Filter mesh |
| Fitting style | - | Male |
| Fitting type | - | G-thread |
| Valve restriction | mm | 0.7 |
| Restricted vacuum flow | l/s | 0.7 |
| Suction cup model | - | BL20-2 reinforcement ring |
| Movement, vertical max. | mm | 12.6 |
| Curve radius, min. | mm | 4 |
| Suction cup model | - | BL20-2 |
| Movement, vertical max. | mm | 12.6 |
| Curve radius, min. | mm | 4 |

Performance - Lifting forces

| BL20-2 reinforcement ring | Vertical (N) | Parallel (N) |
|---------------------------|--------------|--------------|
| 20 -kPa | 3.3 | 3.7 |
| 60 -kPa | 8.2 | 6 |
| BL20-2 | | |
| 20 -kPa | 2.2 | |
| 60 -kPa | 7 | |

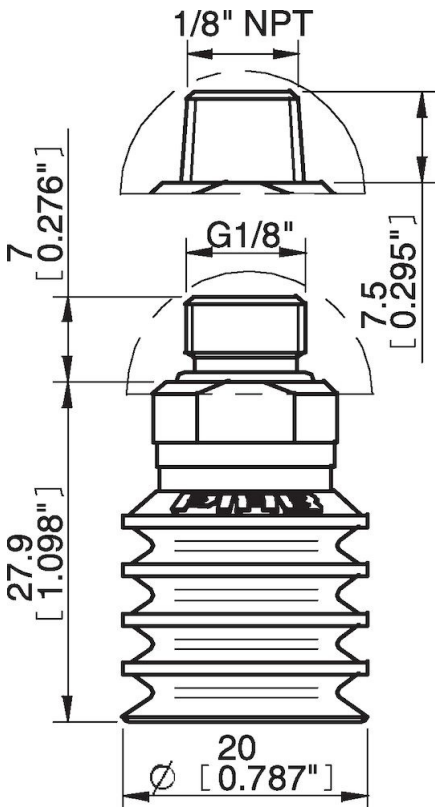
Material

| | |
|------------------------|------------------|
| Name | HNBR 50° Shore A |
| Colour | Blue |
| Temperature, min. °C | -30 |
| Temperature max. °C | 140 |
| Hardness °Shore A | 50 |

Material resistance

| | |
|--------------------|-----------|
| Alcohol | Good |
| Concentrated acids | Fair |
| Ethanol | n/a |
| Hydrolysis | Good |
| Methanol | n/a |
| Oil | Excellent |
| Oxidation | Excellent |
| Petrol | Excellent |
| Wear resistance | Excellent |
| Weather and ozone | Excellent |

Dimensional drawings



Values specified in this data sheet are tested at (unless otherwise stated):

- Room temperature (20°C [68°F] ± 3°C [5.5°F]).
- Standard atmosphere (101.3 [29.9 inHg] ± 1.0 kPa [0.3 inHg]).
- Relative humidity 20-70%.
- Compressed air quality, DIN ISO 8573-1 class 4.

Accessories

0100260 | Fitting 5xM5 female
0101115 | Suction cup BL20-2 Chloroprene
0101116 | Suction cup BL20-2 Silicone
0101152 | Fitting G1/8" male/M5 female, with mesh filter
3150196 | Fitting G1/8" male/M5 female, PA
3250003 | Fitting M5 female
3250004 | Fitting G1/8" male/M5 female
3250085 | Fitting G1/8" male, with mesh filter
3250088 | Fitting 1/8" NPT male, with mesh filter
3251001 | Fitting M5 female, with dual flow control valve
3251003 | Fitting 1/8" NPT male, with dual flow control valve
3251004 | Fitting G1/8" male/M5 female, with dual flow control valve
3251005 | Fitting 5xM5 female, with dual flow control valve
3150071 | Reinforcement ring 20-2

Spare parts

0201132 | Suction cup BL20-2 HNBR