

# Suction cup DCF110P Polyurethane 60, G3/8" male, 1/8" NPSF female, with mesh filter

Article number: 0206546



- Special designed friction cups for domed or flat oily surfaces, such as sheets in metal forming processes.
- Long lasting material, normal wear on friction cup will not affect the long term shear force performance.
- Best choice if > 0.1g/m<sup>2</sup> press oil is used on the sheet but also a great choice for dry metal sheets.
- Refined internal friction pattern provides additional grip performance, the suction cups can withstand high shear forces, typically 3–5 times more than corresponding conventional suction cups.
- Thin design that easily will follow convex or concave surfaces. The thin and pliable design in combination with a special inner friction pattern will maximize grip performance.
- DURAFLEX® suction cups manufactured in a specially developed material that features the elasticity of rubber and wear resistance of polyurethane. The material does not leave any marks on the objects handled and has a fantastic elastic memory, even after hundreds of thousands of cycles.

## Technical data

Description	Unit	Value
Suction cup shape	-	Deep Concave
Application	-	Oily sheet metal
Suction cup design	-	Round
Characteristics	-	Oily sheet metal
Material	-	Polyurethane (PU)
Weight, min.	g	94.8
Suction cup model	-	DCF
Volume	cm <sup>3</sup>	110.2
Height	mm	50.4
Outer diameter, min.	mm	112.5
Outer diameter, actuated	mm	121.2
Fitting size	-	1/8", 3/8"
Fitting option	-	Filter mesh
Fitting style	-	Female/Male
Fitting type	-	G-thread, NPSF-thread
Suction cup model	-	DCF110P Oily metal sheet
Movement, vertical max.	mm	17.2
Curve radius, min.	mm	153
Suction cup model	-	DCF110P Dry metal sheet
Movement, vertical max.	mm	17.2
Curve radius, min.	mm	153

## Performance - Lifting forces

	Vertical (N)	Parallel (N)
DCF110P Oily metal sheet		
60 -kPa	313	286
90 -kPa	433	358
DCF110P Dry metal sheet		

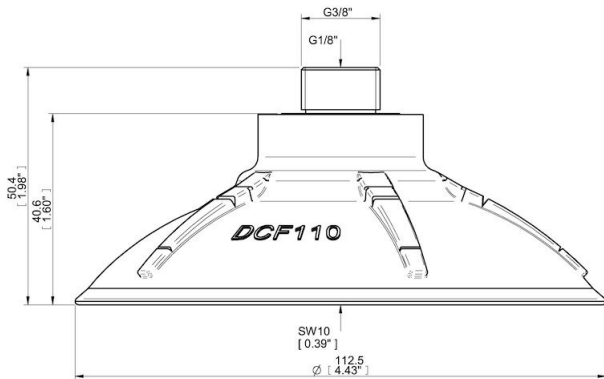
60 -kPa	315	377
90 -kPa	436	573

**Material**

Name	Polyurethane (PU30)	Polyurethane (PU60)	Polyurethane (PU60)
Colour	Yellow	Green transparent	Orange
Temperature, min.   °C	10	10	10
Temperature max.   °C	50	50	50
Hardness   °Shore A	30	60	60

**Material resistance**

Alcohol	n/a	n/a	n/a
Concentrated acids	Fair	Fair	Fair
Ethanol	Fair	Fair	Fair
Hydrolysis	Fair	Fair	Fair
Methanol	Poor	Poor	Poor
Oil	Excellent	Excellent	Excellent
Oxidation	Poor	Poor	Poor
Petrol	Fair	Fair	Fair
Wear resistance	Excellent	Excellent	Excellent
Weather and ozone	Excellent	Excellent	Excellent

**Dimensional drawings****Values specified in this data sheet are tested at (unless otherwise stated):**

- Room temperature (20°C [68°F] ± 3°C [5.5°F]).
- Standard atmosphere (101.3 [29.9 inHg] ± 1.0 kPa [0.3 inHg]).
- Relative humidity 20-70%.
- Compressed air quality, DIN ISO 8573-1 class 4.