

Suction cup B20 Chloroprene, M5 female

Article number: 0101160



- Suitable for level adjustment. Several short bellows in one lifting device can handle objects with height differences and varying shapes, for example embossed or corrugated plates.
- The lifting movement can be used to separate small and thin objects.
- Only lightweight objects should be handled when the lifting force is parallel to the surface of the object, in order to achieve good precision and safe lifting movement.

Technical data

| Description | Unit | Value |
|-------------------------|-----------------|---|
| Suction cup shape | - | Bellows |
| Application | - | Dry sheet metal, Plastic injection molded parts |
| Suction cup design | - | Round |
| Characteristics | - | Dry sheet metal, Plastic injection molded parts |
| Material | - | Chloroprene (CR) |
| Weight, min. | g | 3.2 |
| Suction cup model | - | B |
| Volume | cm ³ | 2.7 |
| Height | mm | 25 |
| Outer diameter, min. | mm | 22 |
| Fitting size | - | None |
| Fitting option | - | None |
| Fitting style | - | Female |
| Fitting type | - | M-thread |
| Suction cup model | - | B20 |
| Movement, vertical max. | mm | 10 |
| Curve radius, min. | mm | 10 |

Performance - Lifting forces

| B20 | Vertical (N) | Parallel (N) |
|---------|--------------|--------------|
| 20 -kPa | 5.9 | 2.9 |
| 60 -kPa | 9.8 | 5.4 |
| 90 -kPa | 14 | 8.22 |

Material

| | |
|------------------------|------------------------------|
| Name | Chloroprene (CR) 50° Shore A |
| Colour | Black |
| Temperature, min. °C | -40 |
| Temperature max. °C | 110 |
| Hardness °Shore A | 50 |

Material resistance

| | |
|--------------------|-----------|
| Alcohol | Good |
| Concentrated acids | Poor |
| Ethanol | n/a |
| Hydrolysis | Good |
| Methanol | n/a |
| Oil | Fair |
| Oxidation | Good |
| Petrol | Fair |
| Wear resistance | Excellent |

Material and ozone

Name Chloroprene (CR) 50° Shore A

Dimensional drawings

Black

-40

110

50

Good

Poor

n/a

Good

n/a

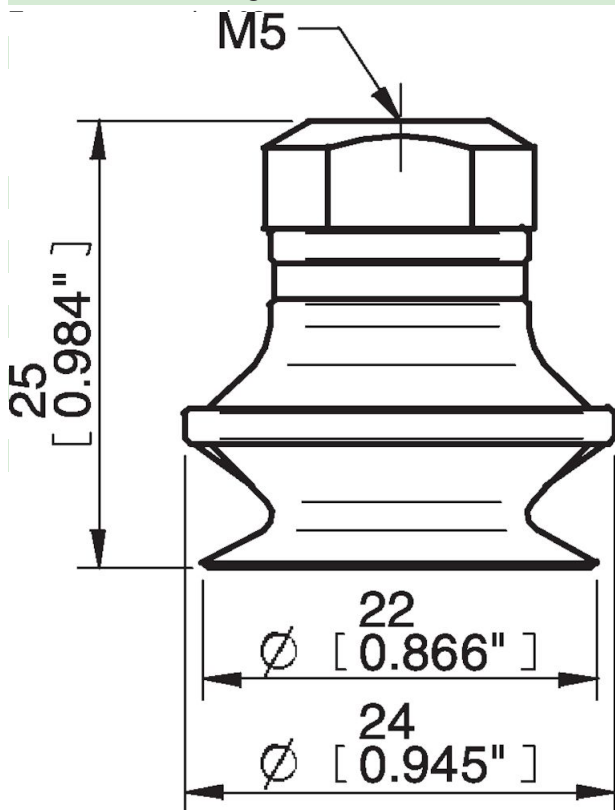
Fair

Good

Fair

Excellent

Good



Values specified in this data sheet are tested at (unless otherwise stated):

- Room temperature (20°C [68°F] ± 3°C [5.5°F]).
- Standard atmosphere (101.3 [29.9 inHg] ± 1.0 kPa [0.3 inHg]).
- Relative humidity 20-70%.
- Compressed air quality, DIN ISO 8573-1 class 4.

Accessories

- 0100260 | Fitting 5xM5 female
- 0101102 | Suction cup B20 Silicone
- 0101152 | Fitting G1/8" male/M5 female, with mesh filter
- 0128712 | Suction cup B20 HNBR
- 3150196 | Fitting G1/8" male/M5 female, PA
- 3250004 | Fitting G1/8" male/M5 female
- 3250085 | Fitting G1/8" male, with mesh filter
- 3250088 | Fitting 1/8" NPT male, with mesh filter
- 3251001 | Fitting M5 female, with dual flow control valve
- 3251003 | Fitting 1/8" NPT male, with dual flow control valve
- 3251004 | Fitting G1/8" male/M5 female, with dual flow control valve
- 3251005 | Fitting 5xM5 female, with dual flow control valve

Spare parts

- 3250003 | Fitting M5 female
- 0101101 | Suction cup B20 Chloroprene