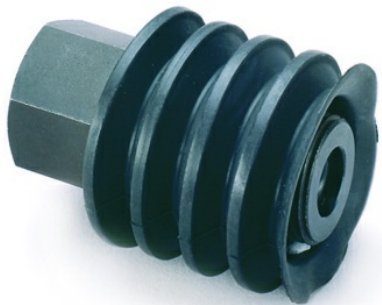


Ball joint G1/2"

Article number: 3350066

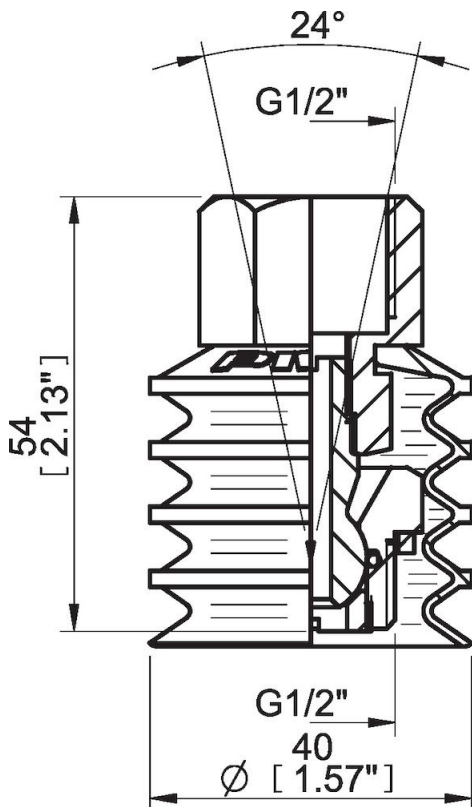


- Ball joint fittings could be used when lifting sheet metal with a device using several suction cups.
- To avoid bending stress a suction cup can be fitted with a balljoint.

Technical data

Description	Unit	Value
Material	-	Chloroprene (CR), Nitrile (NBR), PA, Steel
Bending torque, max.	Nm	125
Load, max.	kg	50
Load, vertical, max.	N	500
Movement, angular	°	±12
Temperature, max.	°C	110
Temperature, min.	°C	-40
Weight, min.	g	110

Dimensional drawings



Accessories

3107757 | Connector ext-int G1/2"