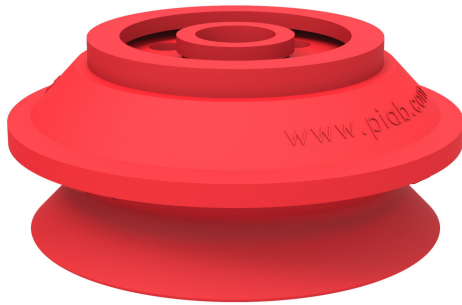


Suction cup B75-2 Silicone, with filter & washer

Article number: 3150096S



- Suitable for level adjustment. Several short bellows in one lifting device can handle objects with height differences and varying shapes, for example embossed or corrugated plates.
- Lifting movement to separate small and thin objects.
- Only lightweight objects should be handled when the lifting force is parallel to the surface of the object, in order to achieve good precision and safe lifting movement.

Technical data

Description	Unit	Value
Suction cup shape	-	Bellows
Application	-	Dry sheet metal, Plastic injection molded parts
Suction cup design	-	Round
Characteristics	-	Dry sheet metal, Plastic injection molded parts
Material	-	Silicone (SIL)
Weight, min.	g	50
Suction cup model	-	B
Volume	cm ³	110
Height	mm	37
Outer diameter, min.	mm	78
Fitting size	-	None
Fitting option	-	Filter, Washer
Fitting style	-	None
Fitting type	-	None
Suction cup model	-	B75
Movement, vertical max.	mm	24
Curve radius, min.	mm	40

Performance - Lifting forces

B75	Vertical (N)	Parallel (N)
20 -kPa	74	62.4
60 -kPa	167	122.4
90 -kPa	226	154.1

Material

Name	Silicone, SIL 50° Shore A
Colour	Red
Temperature, min. °C	-40
Temperature max. °C	200
Hardness °Shore A	50

Material resistance

Alcohol	Good
Concentrated acids	Poor
Ethanol	n/a
Hydrolysis	Fair
Methanol	n/a
Oil	Poor
Oxidation	Excellent
Petrol	Poor
Wear resistance	Good

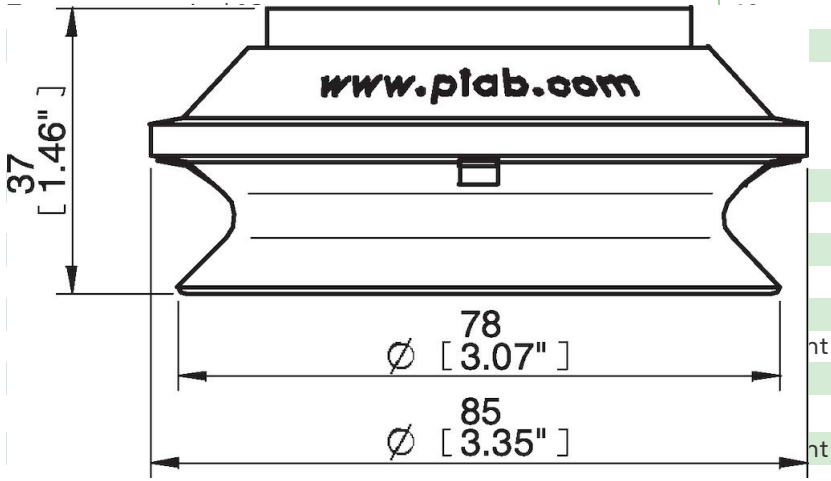
Water and ozone

Excellent

Name Silicone, SIL 50° Shore A

Dimensional drawings

Red



Values specified in this data sheet are tested at (unless otherwise stated):

- Room temperature (20°C [68°F] ± 3°C [5.5°F]).
- Standard atmosphere (101.3 [29.9 inHg] ± 1.0 kPa [0.3 inHg]).
- Relative humidity 20-70%.
- Compressed air quality, DIN ISO 8573-1 class 4.

Accessories

- 0100548 | Fitting 75, 1/8" NPSF female, with mesh filter
- 0100551 | Fitting 75, G3/8" female, with mesh filter
- 0100553 | Fitting 75, 3/8" NPSF female, with mesh filter
- 0100555 | Fitting 75, G1/2" female, with mesh filter
- 0127819 | Fitting 1/8" NPSF female AI, with mesh filter
- 0127820 | Fitting G1/2" female AI, with mesh filter
- 0127821 | Fitting 1/4" NPT female AI, with mesh filter & 10-32 addl. conn.

Spare parts

- 0201149 | Filter D=80, 10 pcs, for B75-2