

Suction cup F-BX10 Silicone G1/8" male composite, detectable, FCM

Article number: 0207053



- The silicone material complies with FDA 21 CFR 177.2600 and EU 1935/2004.
- Long lasting high-end silicone material
- A low percentage metal additive (Fe) is mixed with the rubber material to make it detectable.
- Suitable for frozen and raw food.
- Excellent grip on food with irregular surfaces and different heights, even at fast speeds and accelerations
- Available with male threaded food grade, detectable plastic fittings or acid proof stainless steel fittings.
- Easy to clean with hygienic design. No dust/dirt pockets.
- Low vacuum level needed to collapse bellows. Reduces risk for damaging the handled food product

Technical data

Description	Unit	Value
Suction cup shape	-	Multibellows
Application	-	Food contact materials (FDA & EU), detectable
Suction cup design	-	Round
Characteristics	-	Food contact materials (FDA & EU), detectable
Material	-	Silicone (SIL)
Load, torque, max.	Nm	13
Weight, min.	g	1.5
Suction cup model	-	F-BX
Volume	cm ³	0.33
Height	mm	23
Outer diameter, min.	mm	10.5
Outer diameter, actuated	mm	10.5
Fitting size	-	1/8"
Fitting option	-	None
Fitting style	-	Male
Fitting type	-	G-thread
Tightening torque, max.	Nm	13
Material	-	Composite
Suction cup model	-	F-BX10
Movement, vertical max.	mm	6.8
Curve radius, min.	mm	3.6

Performance - Lifting forces

F-BX10	Vertical (N)	Parallel (N)
10 -kPa	0.5	1.2
20 -kPa	0.9	1.3
40 -kPa	1.5	1.4

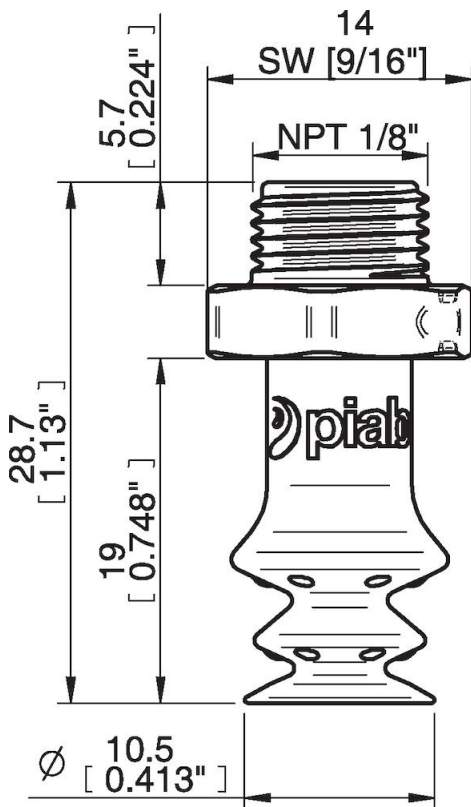
Material

Name	Silicone (SIL detectable FCM)
Colour	Blue
Temperature, min. °C	-40
Temperature max. °C	200
Hardness °Shore A	40

Material resistance

Alcohol	Good
Concentrated acids	Poor
Ethanol	n/a
Hydrolysis	Fair
Methanol	n/a
Oil	Poor
Oxidation	Excellent
Petrol	Poor
Wear resistance	Good
Weather and ozone	Excellent

Dimensional drawings



Values specified in this data sheet are tested at (unless otherwise stated):

- Room temperature (20°C [68°F] ± 3°C [5.5°F]).
- Standard atmosphere (101.3 [29.9 inHg] ± 1.0 kPa [0.3 inHg]).
- Relative humidity 20-70%.
- Compressed air quality, DIN ISO 8573-1 class 4.

Accessories

- 0207133 | Fitting G1/8" Male, SS, F-BX10
- 0207134 | Fitting 1/8"NPT Male, SS, F-BX10
- 0207135 | Fitting M5 Male, SS, F-BX10
- 0207136 | Fitting G1/8" Male, composite, F-BX10
- 0207137 | Fitting 1/8"NPT Male, composite, F-BX10
- 0207138 | Fitting M5 Male, composite, F-BX10

Spare parts

- 0206202 | Suction cup F-BX10 Silicone detectable, FCM
- 0207136 | Fitting G1/8" Male, composite, F-BX10